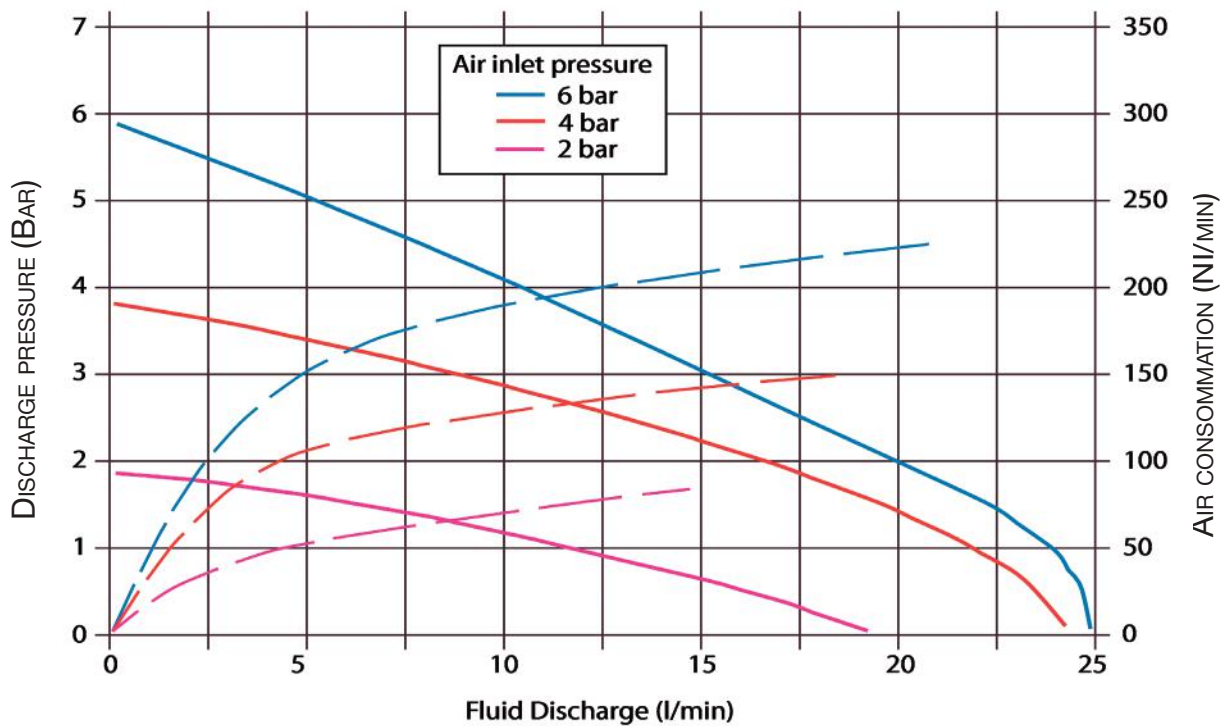


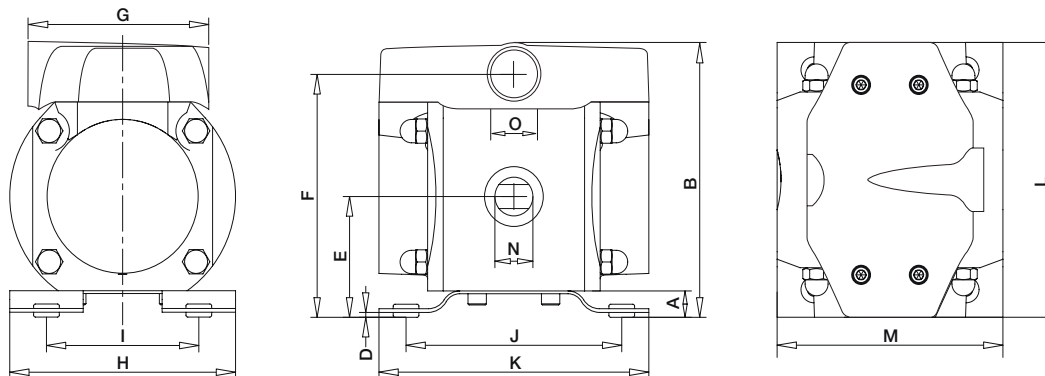
# **ALBIN PUMP AD**

Air operated floating diaphragm pumps

**TECHNICAL DATASHEETS**



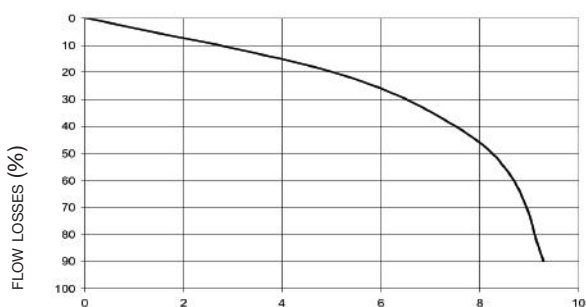
## DIMENSIONS



DIMENSIONS															
TYPE	A	B	D	E	F	G	H	I	J	K	L	M	N	O	Weight kg PP / AL
AD 15	14	145	2.5	64.5	130	97,6	141	101	118	147	147	123	1/4"	3/8"	2.5 / 3.7

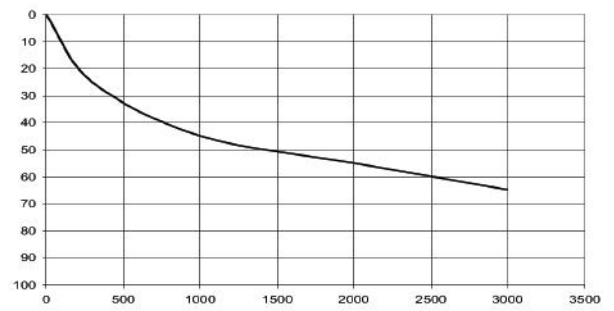
## TECHNICAL SPECIFICATIONS

SUCCION LIFT LOSS

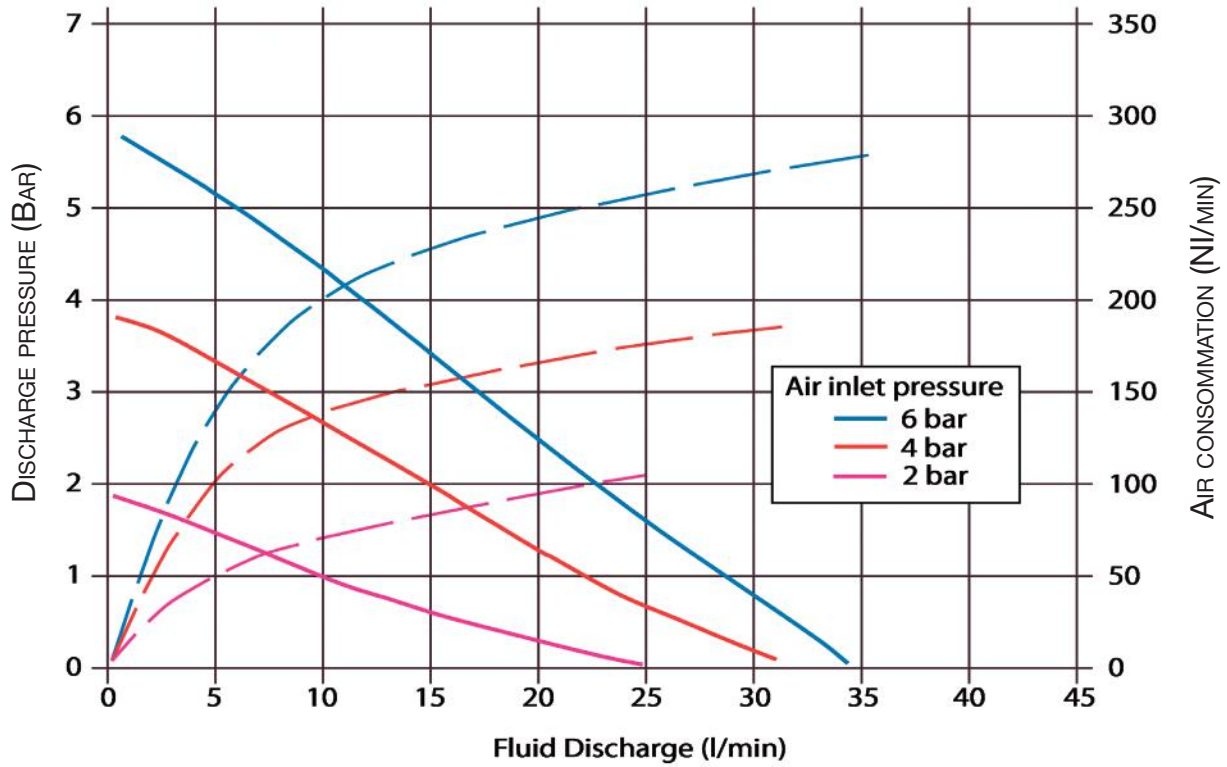


SUCCION LIFT (M)

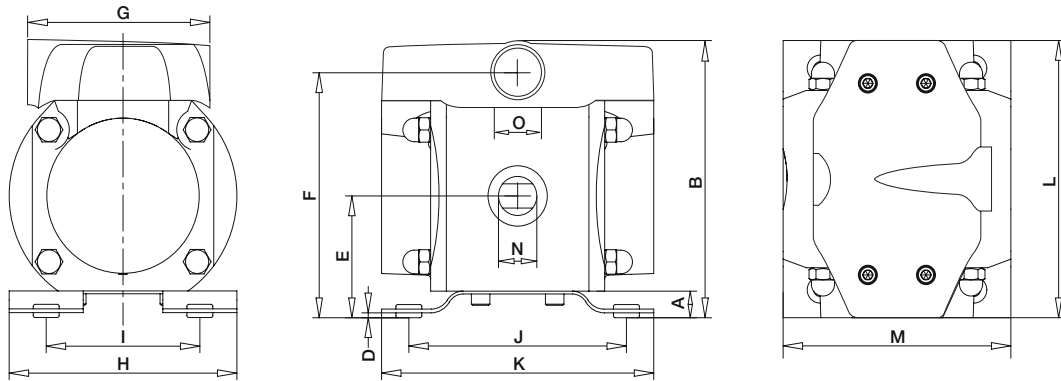
FLOW LOSS DUE TO VISCOSITY



VISCOSITY (Cpo)



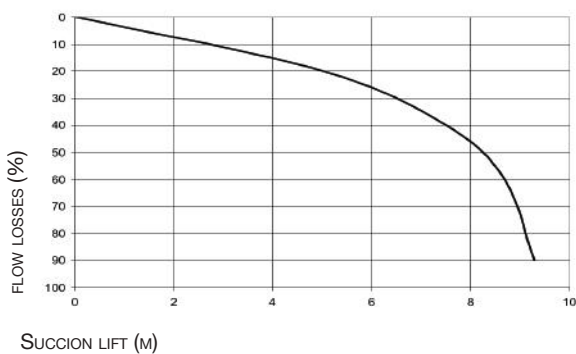
## DIMENSIONS



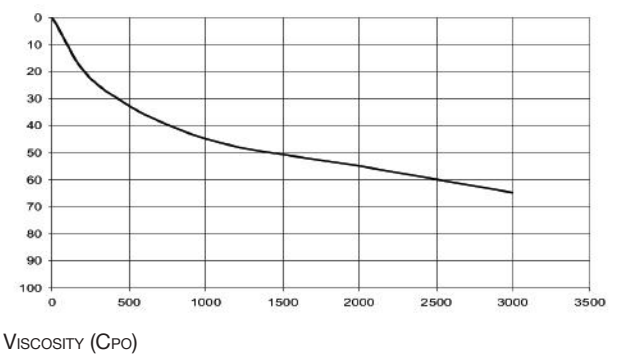
DIMENSIONS															
TYPE	A	B	D	E	F	G	H	I	J	K	L	M	N	O	Weight kg PP / AL
AD 30	14	145	2.5	64.5	130	97,6	141	101	118	147	147	123	3/8"	3/8"	2.5 / 3.7

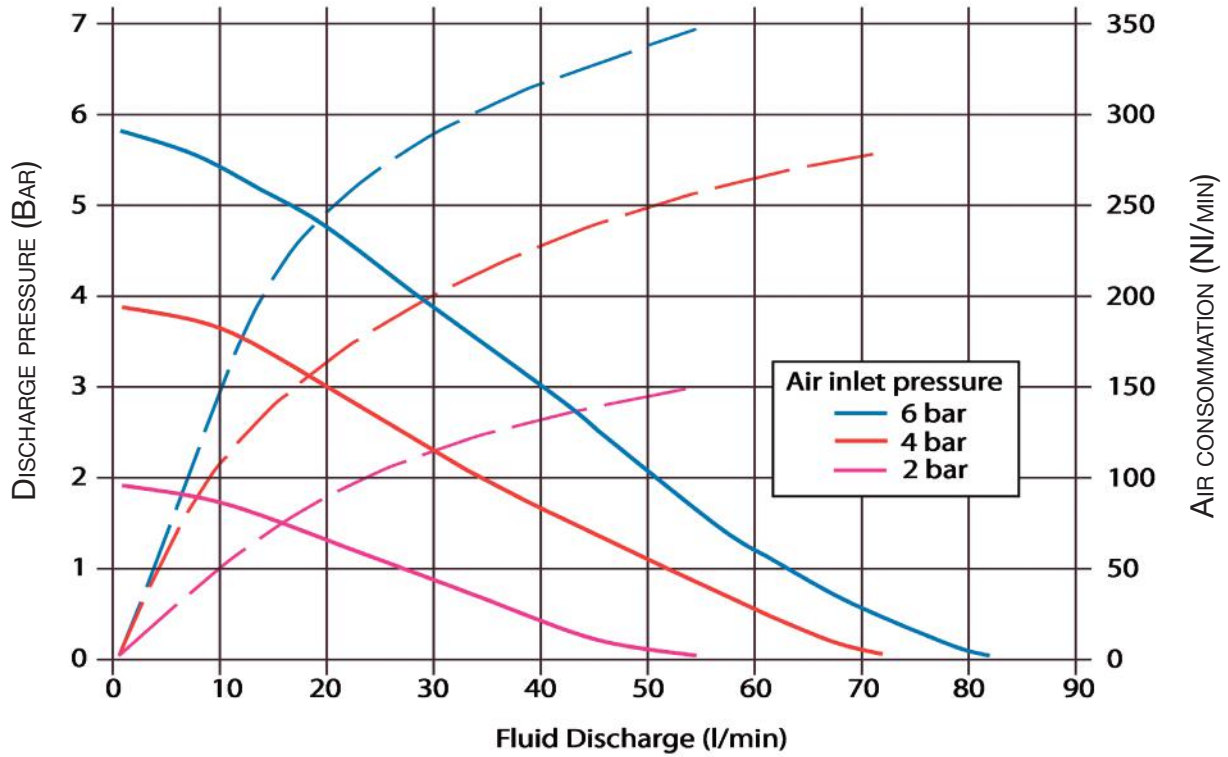
## TECHNICAL SPECIFICATIONS

SUCCION LIFT LOSS

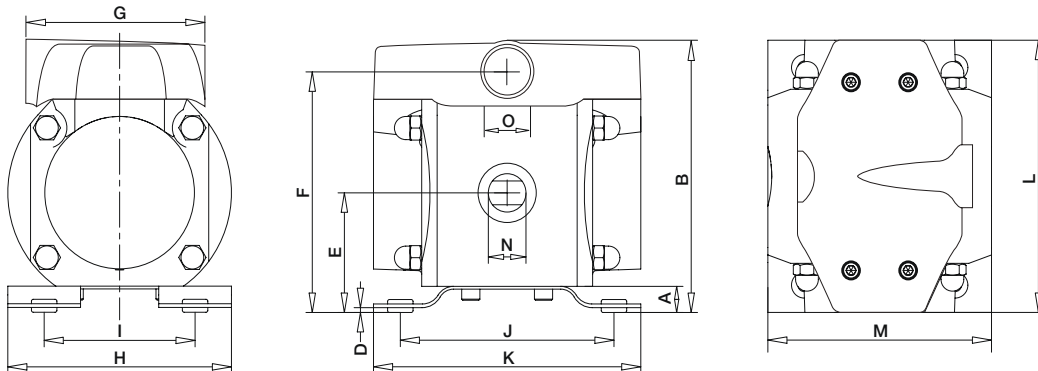


FLOW LOSS DUE TO VISCOSITY





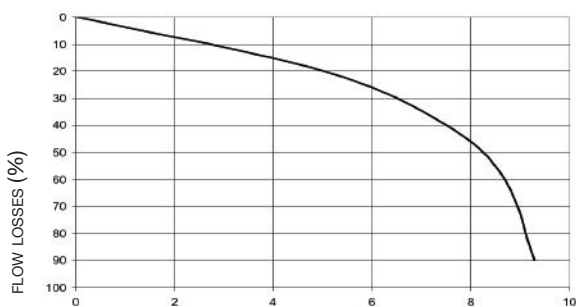
## DIMENSIONS



DIMENSIONS															
TYPE	A	B	D	E	F	G	H	I	J	K	L	M	N	O	Weight kg PP / AL
AD 60	14	164	2.5	74	149	97,6	141	101	118	147	147	141	3/4"	3/8"	3.6 / 4.9

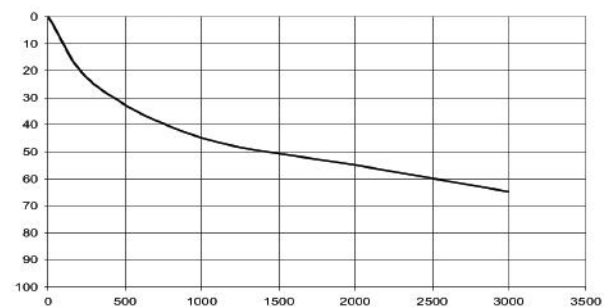
## TECHNICAL SPECIFICATIONS

SUCCION LIFT LOSS

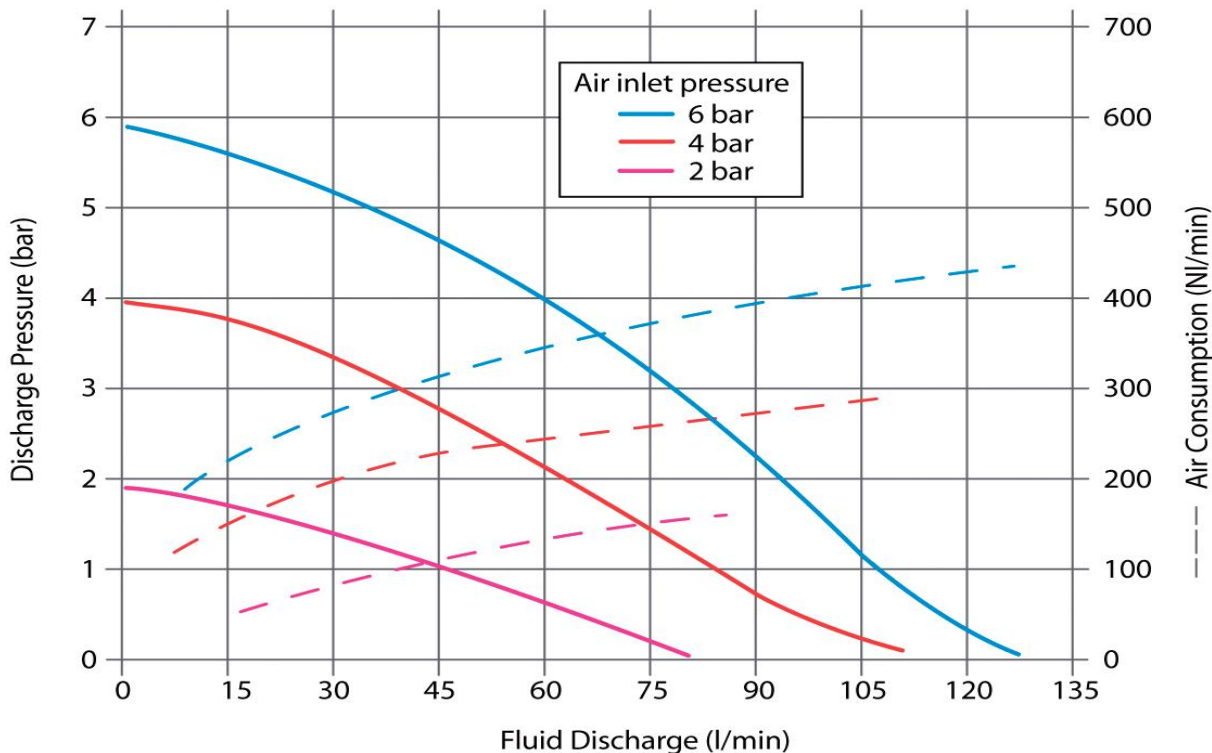


SUCCION LIFT (M)

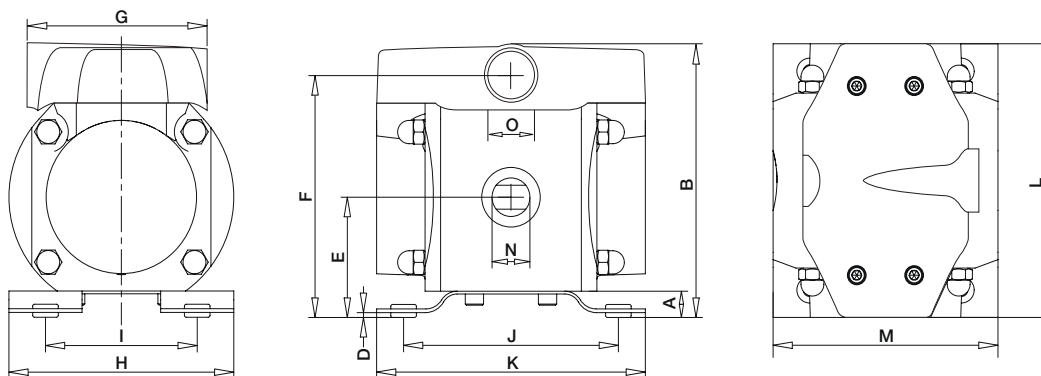
FLOW LOSS DUE TO VISCOSITY



Viscosity (Cpo)



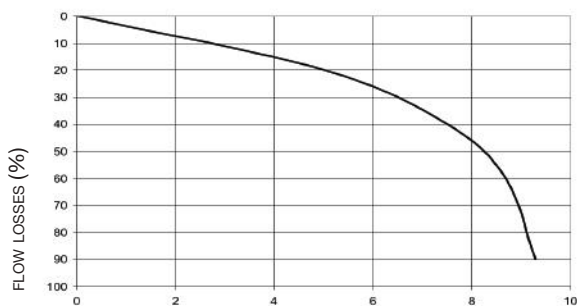
## DIMENSIONS



DIMENSIONS															
TYPE	A	B	D	E	F	G	H	I	J	K	L	M	N	O	Weight kg PP / AL
AD 120	14	210	2.5	97	195	97,6	184	134	148.5	178	170	184	1.1/4"	3/8"	6.9 / 9.8

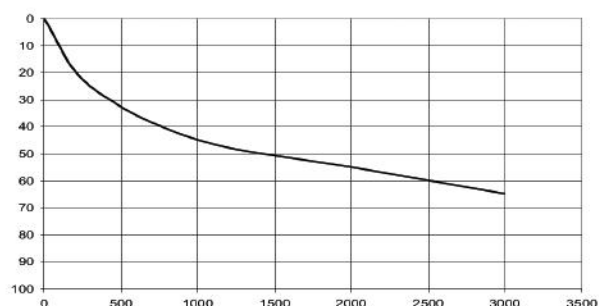
## TECHNICAL SPECIFICATIONS

SUCCION LIFT LOSS



SUCCION LIFT (M)

FLOW LOSS DUE TO VISCOSITY



VISCOSITY (Cpo)

**GB**

**ALBIN PUMP SAS**

Z.I. du Meyrol  
6, Avenue du Meyrol  
F-26200 MONTELIMAR  
FRANCE

Tel +33 (0) 4 75 90 92 92 / Fax +33 (0) 4 75 90 92 40  
courrier@albinpump.fr  
www.albinpump.com

For more information about our worldwide locations, approvals, certifications, and local representatives, please visit [www.albinpump.com](http://www.albinpump.com).

ALBIN PUMP reserves the right to incorporate our latest design and material changes without notice or obligation. Design features, materials of construction and dimensional data, as described in this bulletin, are provided for your information only and should not be relied upon unless confirmed in writing. Certified drawings are available upon request. © 2008 ALBIN PUMP