

ALBIN PUMP ALX

THE EXTRA HOSE PUMPS

The Extra hose pump ALX150

ALX

Albin Pump SAS with our ALX Series pump you get all the benefits of other peristaltic pumps, with the two key additional benefits of a much slower speed for a given flowrate; and rotating rollers for soft hose compression. These two features greatly increase hose life & reduce power consumption.

The ALX150 pump the biggest flow of peristaltic pumps in the World.

After years of development the ALX150 was introduced for applications ranging from; sea tanker overloading, to high solids thickener underflow slurry transfer, where fast reliable offloading is key to process profitability.

Our pump uses soft action rotating rollers to compress the hose instead of hard fixed shoes. The advantage of our rollers is that they gently rotate as they compress the hose, losing very little power from surface friction. The pumps soft rollers reduce power consumption dramatically.

Displacing 90 litres per revolution you can run this pump very slowly to deliver high flow-rates up to 200 m³/h with excellent hose life.

Typical duties include:

- Effluent Processing
- Mining Waste/Cake Transfer
- Mud slurry Transfer
- Municipal Waste transfer
- Sea Tanker Offloading
- Sand Slurry Transfer
- Tailings Transfer
- Thickener Underflow Feed
- Fish boat doffloading

And of course many others...

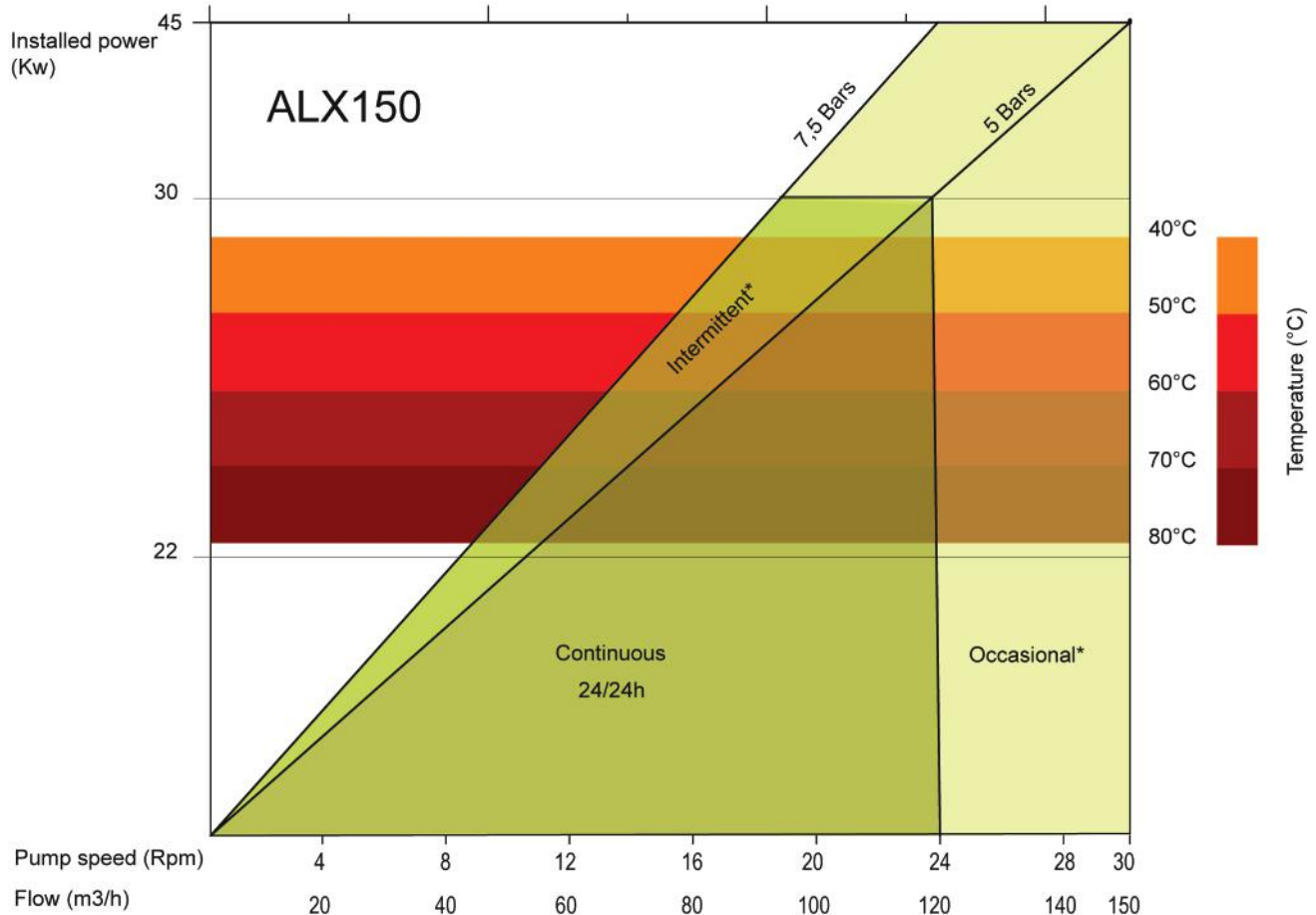
Benefits and features

- No mechanical seal or stuffing box
- Reversible flow
- Damage-free continuous dry running
- Internal gearbox to reduce overall dimensions
- Fully self-priming up to 9,8 m
- Outlet pressures up to 7.5 bar
- Without lubricant
- Suitable for aggressive or viscous fluids
- Hoses available: NR and full EPDM

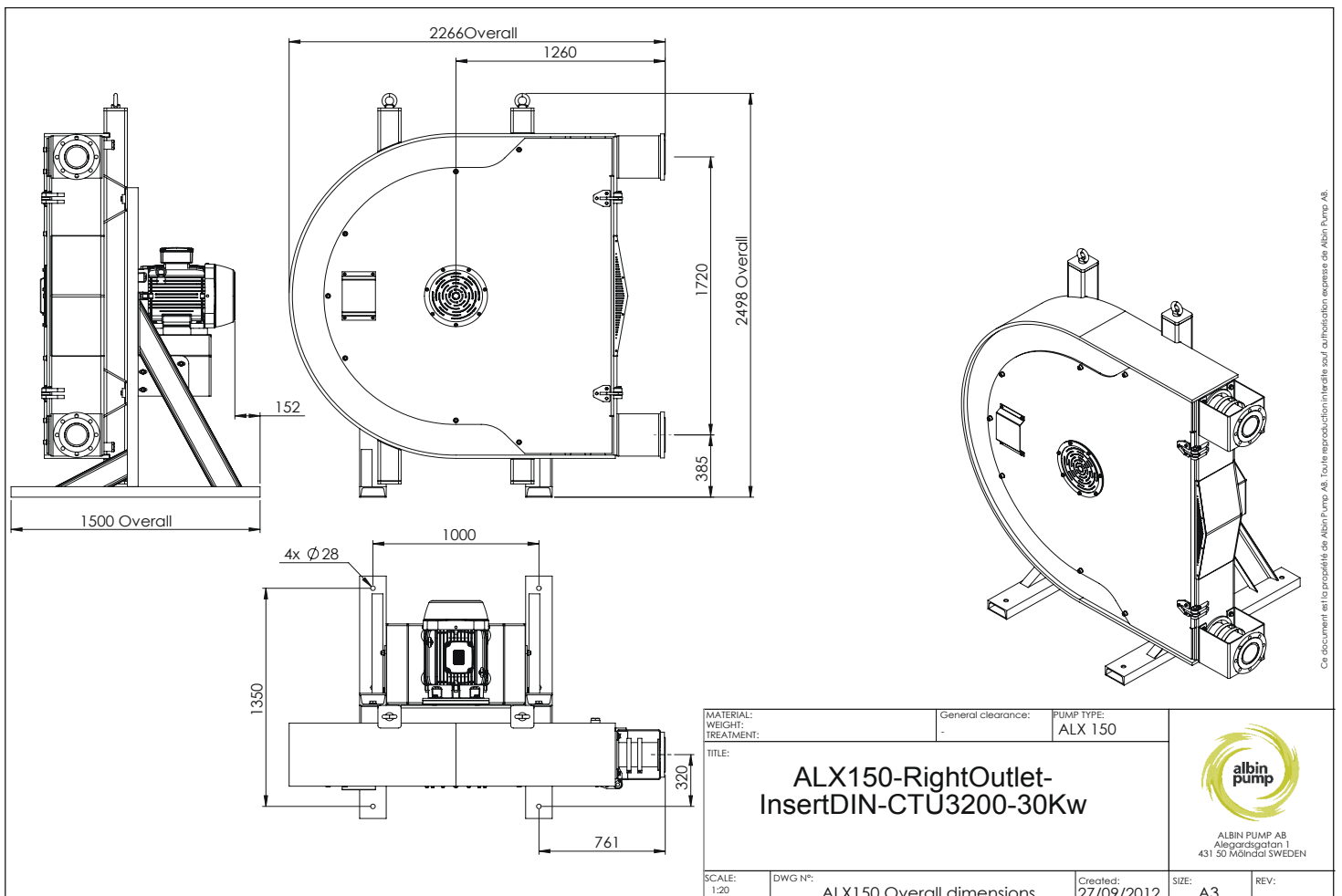


ALX150 High performances

ALX



*Intermittent use : minimum one hour stop after 2 hours run / *Occasional use : maximum one hour a day



GB

ALBIN PUMP SAS

Z.I. du Meyrol
6, Avenue du Meyrol
26200 Montélimar
France

Tel +33 (0) 4 75 90 92 92
Fax +33 (0) 4 75 90 92 40
courrier@albinpump.fr
www.albinpump.com

For more information about our worldwide locations, approvals, certifications, and local representatives, please visit www.albinpump.com.

ALBIN PUMP reserves the right to incorporate our latest design and material changes without notice or obligation.

Design features, materials of construction and dimensional data, as described in this bulletin, are provided for your information only and should not be relied upon unless confirmed in writing.

Certified drawings are available upon request. © 2015 ALBIN PUMP