

# #BIGAODDPUMPS

# AIRSATURN

300 • 400



WORLD FIRST



**AIRSATURN** range is the worldfirst AODD pumps realised in fiberglass (**FRP**) available in size 3" and 4". A unique product on the market to this date thanks to the **composite materials** used: **vinyl ester resin reinforced with long strands of fiberglass** moulded with the RTM technique. The AIRSATURN pumps offer many pluses from which:

- high chemical resistance (the highest amongst resins and polyesters)
- mechanical strength comparable to some metal alloys;
- dimensional stability, characteristic of the resins becoming irreversibly insoluble and infusible after catalysis;
- abrasive and wear resistance;
- light weight;
- resistance to flame propagation in case of fire.

**Capacity:** up to 1280 l/min

**Connexions:** 3" - 4"

**Materials:**



## DISTRIBUTION SYSTEM ONLY ADVANTAGEOUS!

- **simple and maintenance free 5-component construction,**
- material of construction resistant to wear and chemicals for longer lifetime without damage,
- affordable cost,
- High-shift speed and high-discharge speed of the exhaust air,
- low consumption as consequence of the fine tuned air quantity supplied to the diaphragms

## PROGRESS VALVE AIR CONSUMPTION REDUCTION

Argal designed a special adaptive air distributor to turn on and off the pump and to fine tune the air flow consumption to the liquid pumped and the required performance with a real reduction of consumption and operational cost.

## 5 VERSIONS OF CONSTRUCTION

- **VIG** - for general use
- **VIA** - for abrasive fluids
- **VIC** - for liquids with chloride
- **VIF** - for liquids with fluorine
- **VIX** - for ATEX areas

## APPLICATIONS FOR SEAWATER AND CORROSIVE FLUIDS

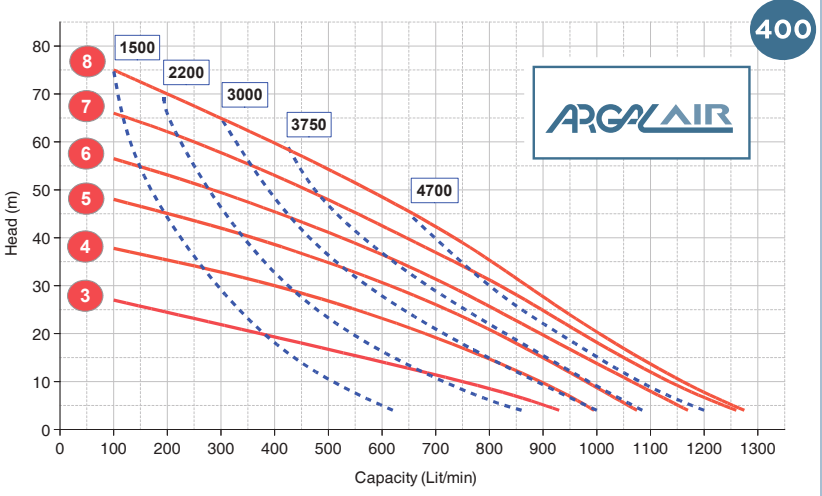
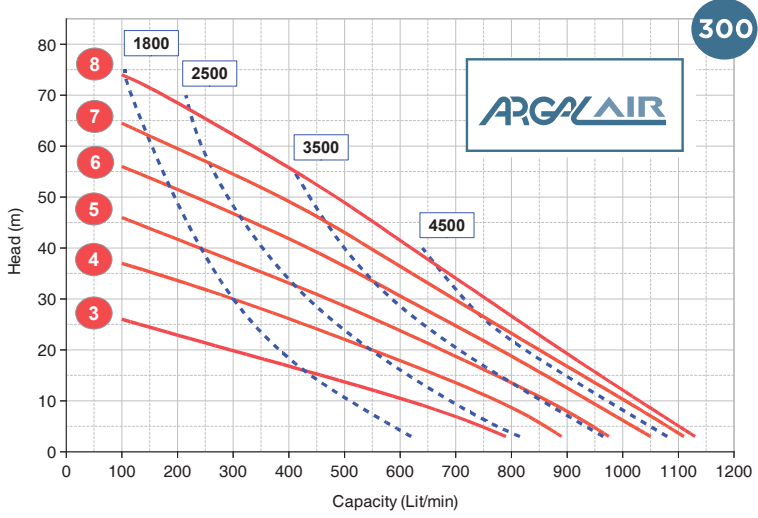
- **Desalination**
- **Water and wastewater treatments**
- **Aquarium**
- **Seawater applications**



## FREE ICE FORMATION SYSTEM AN INNOVATIVE PLUS

The materials used, the switching speed and the distribution spool shift speed all highly **resist to the formation of ice** that detaches itself from the surface to get then ejected from the discharge tube. Possible remaining will never affect the pump operation.

**bar** Air Pressure main supply      **lit/min** Air consumption



**COMPOSITION AIRSATURN 3"**

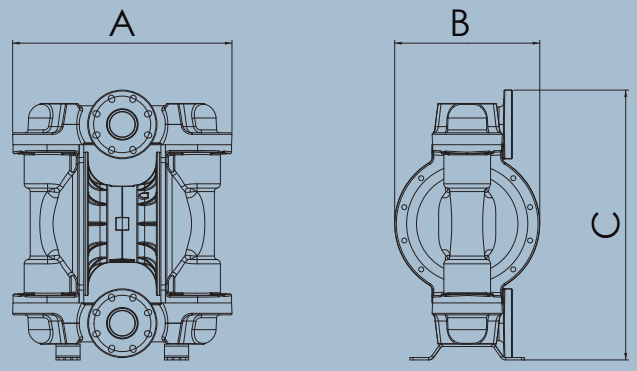
<b>Wetted parts</b>	• FRP
<b>Diaphragms</b>	• EPDM • NBR • EPDM+PTFE • NBR+PTFE
<b>Valve Balls</b>	• EPDM • NBR • PTFE • AISI 316L • FRP
<b>Valve Seats</b>	• POLYURETHANE • UPPE • PVDF • AISI 316L
<b>Gaskets</b>	• EPDM • NBR • FKM • FEP

**COMPOSITION AIRSATURN 4"**

<b>Wetted parts</b>	• FRP
<b>Diaphragms</b>	• EPDM • NBR • EPDM+PTFE • NBR+PTFE
<b>Valve Balls</b>	• EPDM • NBR • PTFE • AISI 316L • FRP
<b>Valve Seats</b>	• POLYURETHANE • UPPE • PVDF • AISI 316L
<b>Gaskets</b>	• EPDM • NBR • FKM • FEP

TECHNICAL DATA	300 (3")	400 (4")
<b>Maximum Capacity Litres/Minute</b>	1100	1280
<b>Materials of Pump Housings &amp; Central Block</b>	FRP	FRP
<b>Fluid Port (ISO-ANSI Flange) Intake &amp; Discharge Connections</b>	3" DN80	4" DN100
<b>Air Inlet</b>	¾" F NPT	¾" F NPT
<b>Air Exhaust (included silencer)</b>	1" F NPT	1" F NPT
<b>Maximum Working Pressure</b>	8 bar	8 bar
<b>Maximum Cycles per Minutes</b>	96	96
<b>Max. Discharge Volume/Cycles</b>	8,5 litri	8,5 litri
<b>Maximum Solids Particle Size</b>	11 mm	13 mm
<b>Suction Lift (dry)</b>	6 m	4,5 m

DIMENSIONS (mm)	300 (3")	400 (4")
<b>A</b>	662	728
<b>B</b>	436	482
<b>C</b>	803	904



FOLLOW US ON



**ARGAL srl**  
Via Labirinto, 159 - 25125 BRESCIA - (Italy)  
Tel. +39 030 3507011 - fax +39 030 3507077  
info@argal.it - [www.argalpumps.com](http://www.argalpumps.com)

cod. 01.2018 - EN