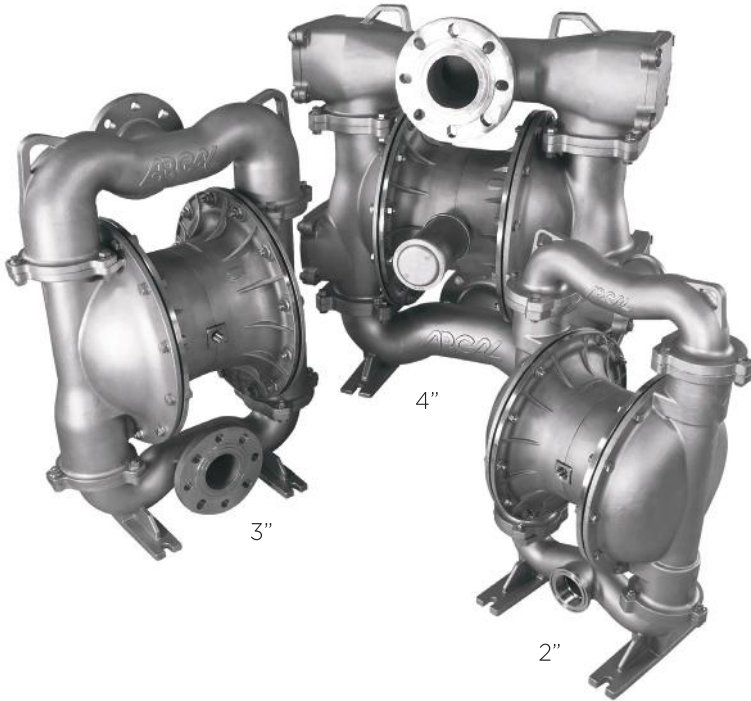


#BIGAODDPUMPS

MISTRAL

200 • 300 • 400



MISTRAL range represents the safest and most efficient solution for heavy dangerous and even explosive applications but also for process applications.

The entire construction of the body pumps and of the distributor is realised in AISI 316L (low carbon content) making the pumps extremely resistant to corrosion, robust and perfect **for continuous operation**.

Capacity: up to 1280 l/min

Connexions: 2" - 3" - 4"

Materials:



(PTFE diaphragms)



(NBR, EPDM, SANTOPRENE diaphragms)

DISTRIBUTION SYSTEM ONLY ADVANTAGEOUS!

- **simple and maintenance free 5-component construction,**
- material of construction resistant to wear and chemicals for longer lifetime without damage,
- affordable cost,
- High-shift speed and high-discharge speed of the exhaust air,
- low consumption as consequence of the fine tuned air quantity supplied to the diaphragms

PROGRESS VALVE AIR CONSUMPTION REDUCTION

Argal designed a special adaptive air distributor to turn on and off the pump and to fine tune the air flow consumption to the liquid pumped and the required performance with a real reduction of consumption and operational cost.

APPLICATIONS FOR HEAVY OPERATIONS



- **Off-Shore platforms**
- **Marine processes**
- **Chemical processes**
- **Pipeline cleaning**
- **Cement mixer sewage**
- **Extraction of minerals**
- **Oil & gas mining processes**

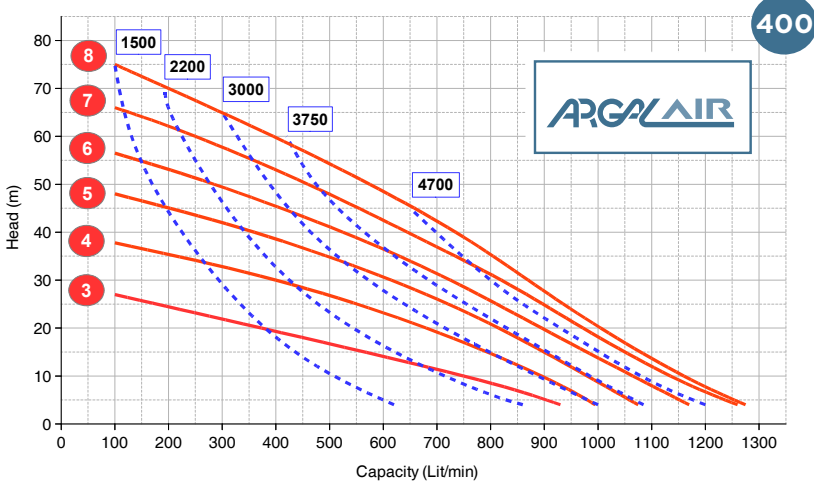
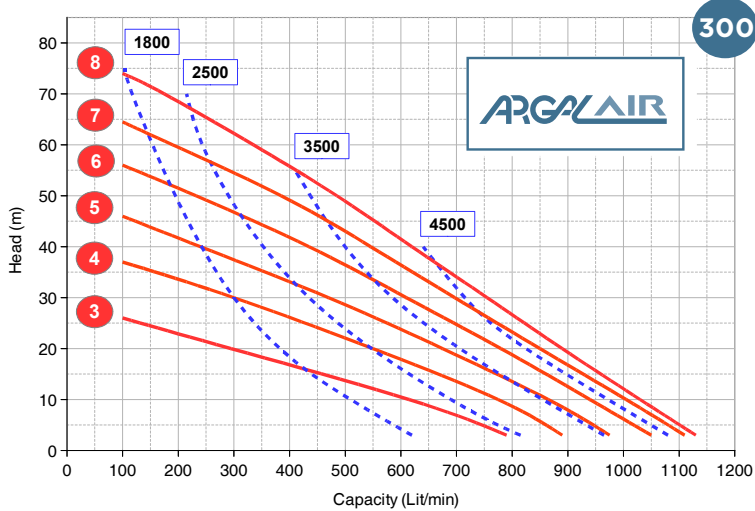
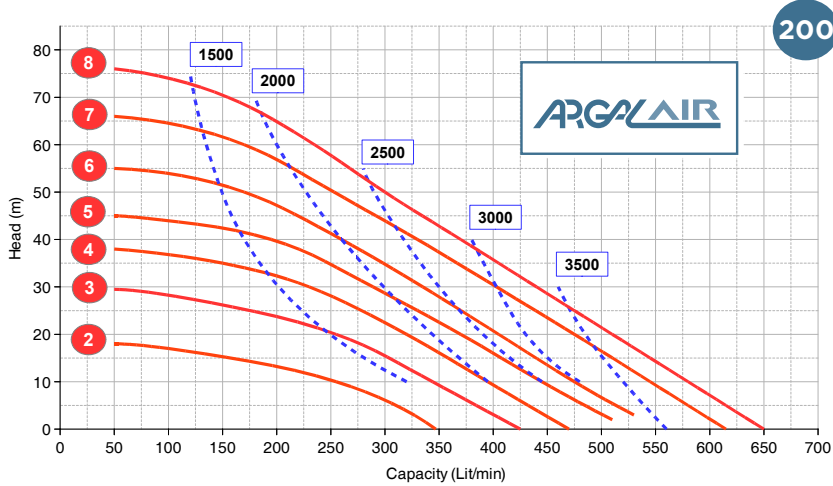


Center block

FREE ICE FORMATION SYSTEM AN INNOVATIVE PLUS

The materials used, the switching speed and the distribution spool shift speed all highly **resist to the formation of ice** that detaches itself from the surface to get then ejected from the discharge tube. Possible remaining will never affect the pump operation.

bar Air Pressure main supply NI/min Air consumption



COMPOSITION MISTRAL 2"	
Wetted parts	• AISI 316L • DUPLEX • BRONZE
Diaphragms	• EPDM • NBR • HYTREL • SANTOPRENE • HYTREL +PTFE
Valve Balls	• EPDM • NBR • PTFE • AISI 316L
Valve Seats	• POLYURETHANE • UPPE • PVDF • AISI 316L
Gaskets	• EPDM • NBR • FKM • FEP

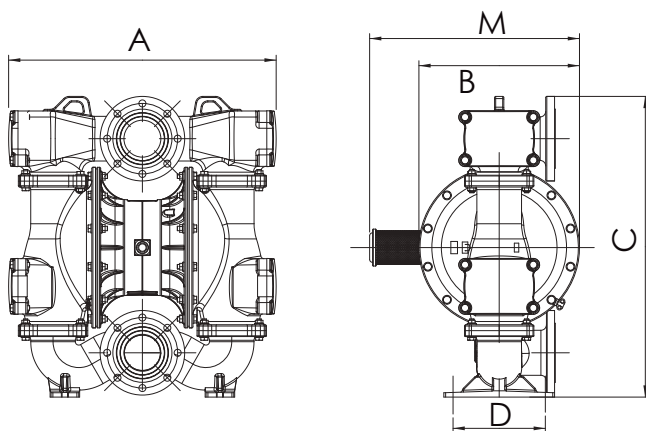
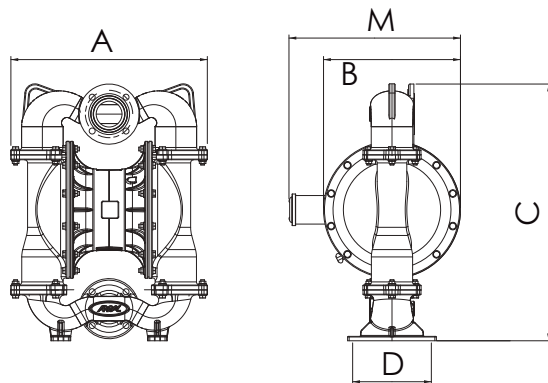
COMPOSITION MISTRAL 3"	
Wetted parts	• AISI 316L • DUPLEX • BRONZE
Diaphragms	• EPDM • NBR • EPDM+PTFE • NBR+PTFE
Valve Balls	• EPDM • NBR • PTFE • AISI 316L • FRP
Valve Seats	• POLYURETHANE • UPPE • PVDF • AISI 316L
Gaskets	• EPDM • NBR • FKM • FEP

COMPOSITION MISTRAL 4"	
Wetted parts	• AISI 316L • DUPLEX • BRONZE
Diaphragms	• EPDM • NBR • EPDM+PTFE • NBR+PTFE
Valve Balls	• EPDM • NBR • PTFE • AISI 316L • FRP
Valve Seats	• POLYURETHANE • UPPE • PVDF • AISI 316L
Gaskets	• EPDM • NBR • FKM • FEP

TECHNICAL DATA	200 (2")	300 (3")	400 (4")
Maximum Capacity Litres/Minute	680	1100	1280
Materials of Pump Housings & Central Block	AISI 316L BRONZE DUPLEX	AISI 316L BRONZE DUPLEX	AISI 316L BRONZE DUPLEX
Fluid Port (ISO-ANSI Flange) Intake & Discharge Connections	2" BSP	3" DN80	4" DN100
Air Inlet	½" F NPT	¾" F NPT	¾" F NPT
Air Exhaust (included silencer)	¾" F NPT	1" F NPT	1" F NPT
Maximum Working Pressure	8 bar	8 bar	8 bar
Maximum Cycles per Minutes	140	96	96
Max. Discharge Volume/Cycles	3,7 litri	8,5 litri	8,5 litri
Maximum Solids Particle Size	9 mm	11 mm	13 mm
Suction Lift (dry)	6 m	6 m	4,5 m



MISTRAL 400



DIMENSIONS	200 (2")	300 (3")
A	440	624
B	340	435
C	707	815
D	220	250
M	460	570

DIMENSIONS	400 (4")
A	725
B	435
C	815
D	235
M	570

FOLLOW
US ON



ARGAL srl
Via Labirinto, 159 - 25125 BRESCIA - (Italy)
Tel. +39 030 3507011 - fax +39 030 3507077
info@argal.it - www.argalpumps.com

cod. 01.2018 - EN