



Product Catalog



THE **Naturals**

Introducing the new line of foam, spray, fog, and gel units...

Universal hinged back plate

Tool-free access to components

Fits any of "the Naturals" portable units

Quick-change pump

Lift bracket to release pump

Hinged lid

Available in 5 colors

In-line strainer

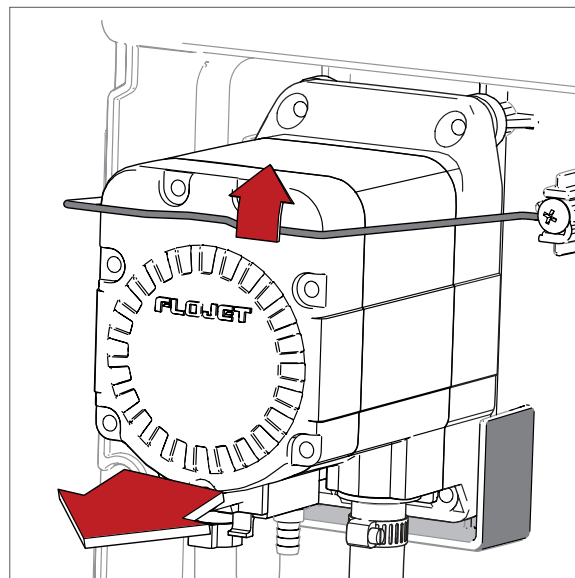
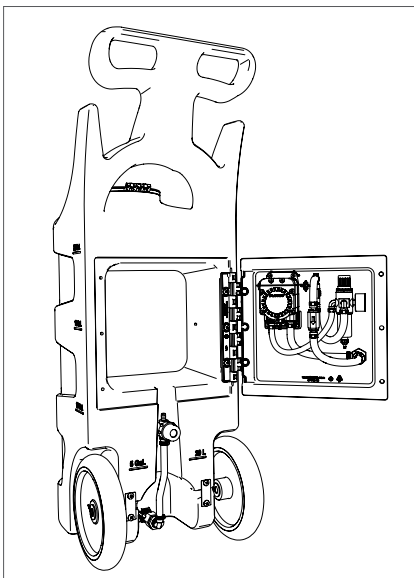
Protects pump from debris

Natural color tank

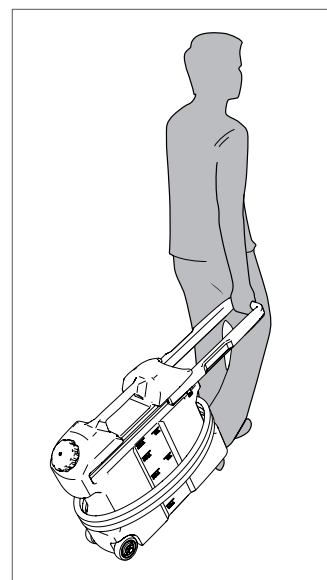
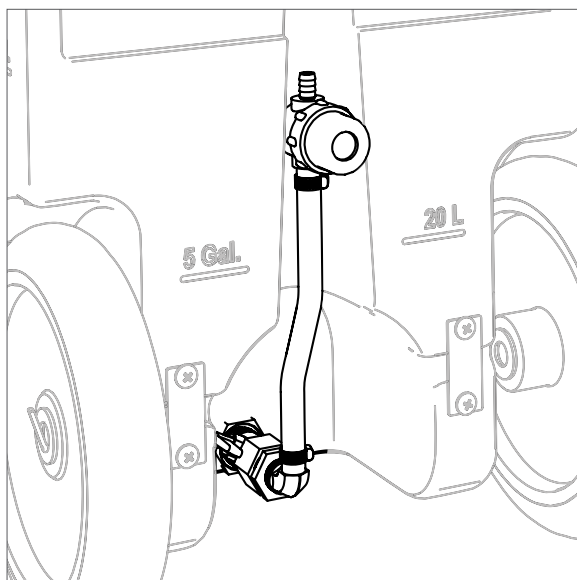
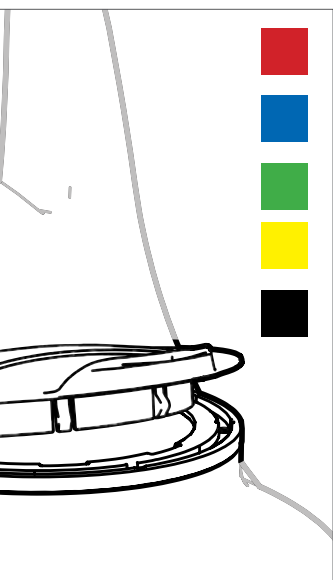
Improved visibility of product levels

Integrated hose wraps

Front-facing drain



Easy to use.
Easy to maintain.



Portable Units



FOAM-iT

Item Number: 905N | 5 gallon foam unit

910N | 10 gallon foam unit

920N | 20 gallon foam unit

925N | 25 gallon foam unit

930N | 30 gallon foam unit

FOG-iT

Item Number: 910N.FOG-2 | 10 gallon fog unit with 2 nozzles mounted to unit handle

Item Number: 910N.FOG-3 | 10 gallon fog unit with 3 nozzles on telescoping fog mast



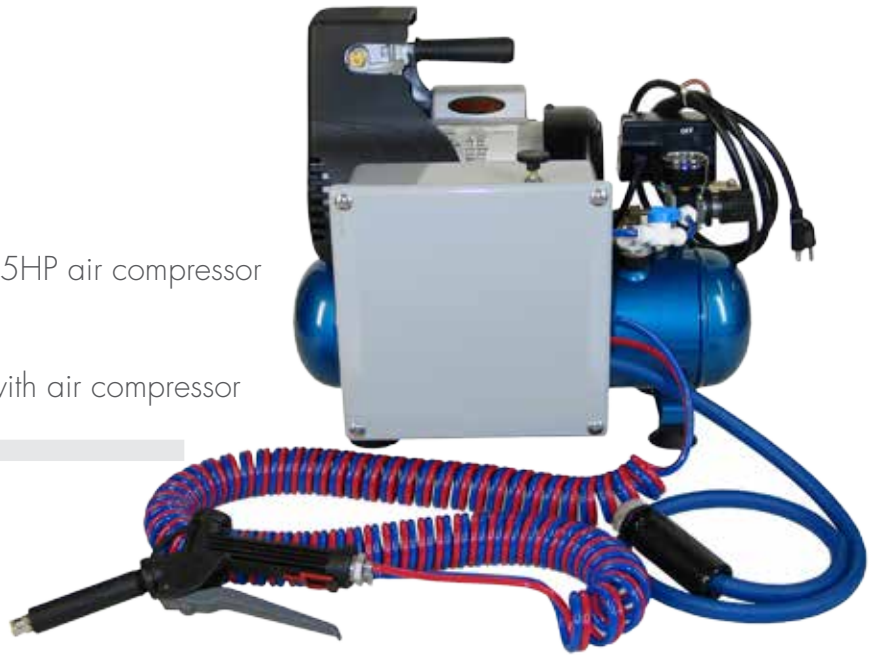
Portable Units

FOAM-iT

Portable foam unit with on-board 1.5HP air compressor

Draws from pre-mixed solution

Item Number: 900.JR | Foam unit with air compressor



FOAM-iT

Compact unit with manual pump

Maximum portability for small jobs and spot cleaning

Item Number: 900-2PU | 2 gallon pump-up foam unit

Portable Units



FOAM-iT

Item Number: 900-WALL

Draws from pre-mixed solution

FOAM-iT

Item Number: 900-WC

Draws from concentrated product

Dilutes product at ratios of 14:1 to 320:1



Doorway Unit

FOAM-iT

Item Number: 900-DS4

- Draws from concentrated solution
- Dilutes product at ratios of 38:1 to 183:1
- Repeat cycle timer
- Support up to 3 stainless steel nozzle assemblies
- Up to 100 ft. total distance between control box and nozzle(s)

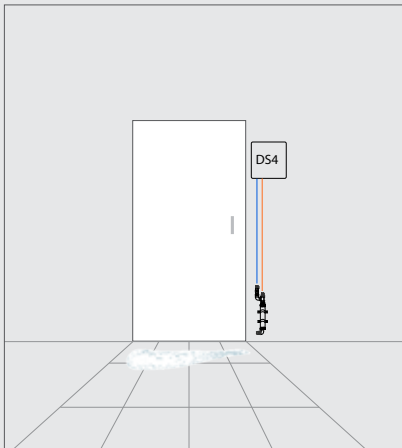
Item Number: 900-GK7T

Nozzle assembly for DS4 unit



How many nozzles do you need?

ONE NOZZLE

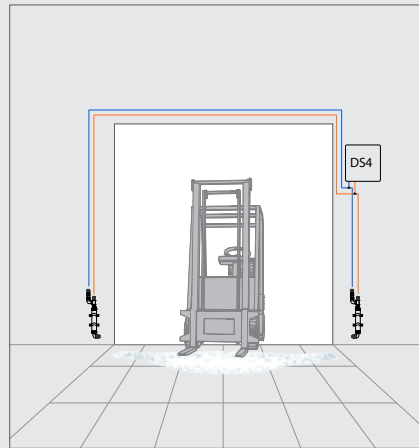


Foam pattern: Up to 9x5 ft.

Spray tip: ST80200

Item Number: 900-DS4
Control box and one nozzle assembly

TWO NOZZLES

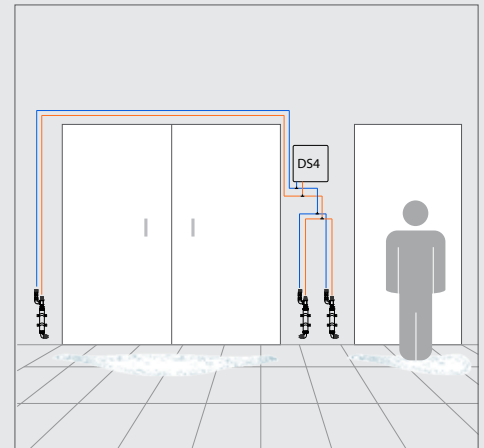


Foam pattern: Up to 8x4 ft. at each nozzle

Spray tip: ST80100

Item Number: 900-DS4-2
Control box and two nozzle assemblies

THREE NOZZLES



Foam pattern: Up to 6x3 ft. at each nozzle

Spray tip: ST8060-1/2

Item Number: 900-DS4-3
Control box and three nozzle assemblies



Dema Engineering Company
10020 Big Bend Blvd.
St. Louis, MO 63122
Telephone: 800-325-3362
Fax: 314-965-8319
Website: www.demaeng.com
Email: sales@demaeng.com

DEMA Australia
Unit 5, 7-11 Parraweena Road
Caringbah N.S.W. 2229
Sydney, Australia
Telephone: 61-2-9525-5177
Fax: 61-2-9525-5033
Email: sales@demaust.com

DEMA Latin America
Sao Paulo, Brazil
Telephone: 55-11-3906-9813
Fax: 55-11-3906-9813
Email: omarp@demaeng.com

www.demaeng.com
314.966.3533
sales@demaeng.com

V001REV09202013

DEMA Europe LLC
Mast 25, 3891 KE
Zeewold, Netherlands
Telephone: 31-(0)-36-522-7006
Fax: 31-(0)-36-522-7863
Website: www.demaurope.com
Email: t.harvey@demaurope.com

DEMA China Representative Office
Room 1317, SIPAI Plaza
103 Cao Bao Road
Shanghai, 200233 P.R. China
Telephone: 86-21-5424-6629
Fax: 86-21-6464-1721
Email: johnzhu@demachina.com.cn

