

DEMA

RAPID FIRE

Spray and Foam Dispenser

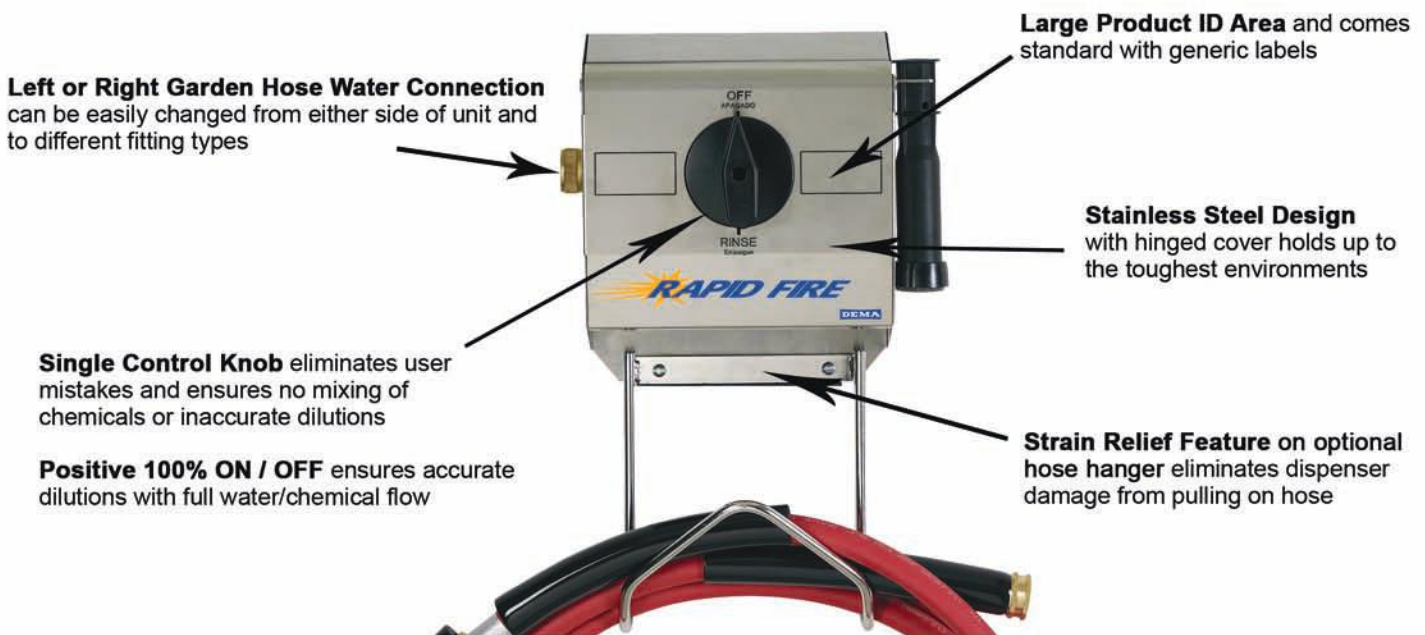
RAPID FIRE uses just one control knob for water and chemical selection preventing mixing of chemicals and ensuring accurate dilutions. The unique design also allows complete water flow through the system for full force rinse and 100% ON / OFF product selection ensures accurate dilutions with full water and chemical flow. RAPID FIRE is ideal for cleaning and sanitizing grocery store meat rooms, seafood and meat departments, kitchen and food preparation areas, food processing and packaging plants and school and health club locker rooms and showers plus anywhere large surface cleaning, sanitizing or disinfecting is needed.



- Single control knob virtually eliminates improper use or dilutions and rotates 360° to eliminate potential damage
- Stainless steel design holds up in the most extreme environments
- Internal components made from chemical-resistant polypropylene
- Built in foam wand hanger helps prevent loss or damage
- Optional hose hanger has innovative “strain-relief” feature that eliminates dispenser damage
- Multiple accessories include hoses, foam wands, spray guns and nozzles to fit almost any need
- Unique flow path for full power 6 gpm (23 lpm) rinse flow
- Easily replaceable chemical injector for fast service and choice of different flow rates - 2.7 gpm (10.2 lpm) standard
- Brass outlet threads eliminates leaks from cross threading

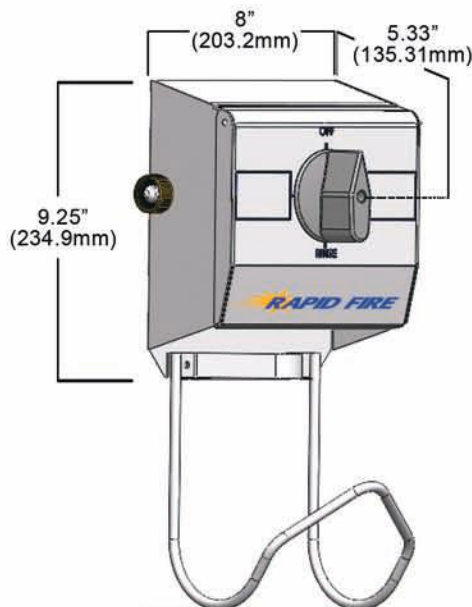
RAPID FIRE

Spray and Foam Dispenser



MODEL NUMBERS AND KITS

- 6300-1** Dispenser only
- 6300-2** Dispenser with 44-3RG red outlet hose, 44-3-6 black inlet hose, and 40-14QD spray gun / foam wand
- 6300-3** Dispenser with 44-3RG red outlet hose, 44-3-6 black inlet hose, 28-1QD spray gun and 292GQD foam wand
- 6300-4** Dispenser with 44-3RG red outlet hose, 44-3-6 black inlet hose, 40-14QD/292QD spray gun / foam wand and 44-89-112 backflow preventer
- 6300-5** Dispenser with 44-3RG red outlet hose, 44-3-6 black inlet hose, 28-1QD spray gun, 292GQD foam wand and 44-89-112 backflow preventer



ACCESSORIES

44-3RG	25 feet (8 meters) red hose
44-3N-25	25 feet (8 meters) clear nylon braided hose
44-3-6	6 feet (2 meters) black hose
44-3N-6	6 feet (2 meters) clear nylon braided hose
40-14QD/292QD	Ball valve activated spray gun with quick connect foam wand
28-1QD	Lever activated spray gun with quick connect nozzle
292GQD	Quick connect foam wand
44-89-112	Constant pressure backflow preventer
44-111-1560	Brass nozzle with quick connect groove
44-111-1560SS	Stainless steel nozzle with quick connect groove
44-6	Stainless steel hose hanger

SPECIFICATIONS

Measures 8" W x 9 1/4" H x 5 3/8" (203mm W x 235mm H x 137mm D)
 2.7 gpm (10 L.) Injector flow rate
 Operating range 20-125 psi (1.3 - 8.6 bar)
 Water temperature up to 160°F (71°C)
 Functions with up to 50 feet (15 meters) of 1/2" (13 mm) ID hose

