



AP SERIES

MODELS AC/AV/AK4 & AC/AV/AK5

The AP Series

Rugged, metallic centrifugal pumps are compact in design, easy to operate and handle, and economically priced. Built from high quality 316 stainless steel, these pumps are available in horizontal, vertical, or vertical cantilevered designs. All wetted parts are constructed of corrosion resistant materials to withstand the harshest chemical environments.

Features

- Corrosion resistant 316 stainless steel
- Close coupled
- Back pull out design for easy service
- Compact design with secure V-clamp (304 stainless steel)
- NPT, BSP, tri-clamp, or flanged connections
- Standard, recessed, or high head impellers
- Bellows Type 21 seals (AC models only)
- Standard NEMA or IEC motor frames
- SS mounting plate for in-tank installation (AV models only)
- FKM, EPDM, or carbon lower bushings (AV models only)
- ATEX certified (AC models with ATEX motors only)
- FDA compliant materials (AC models with Buna elastomer only)
- 1.8 specific gravity with no impeller trim
- Maximum temperature*: 300°F (149°C)
- Maximum working pressure: 100 psi (6.9 bar)



AC4

AC5



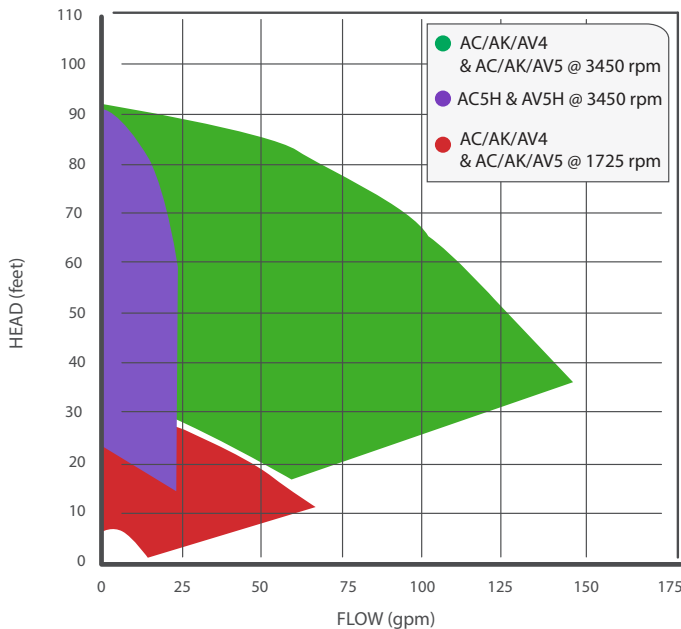
AV5

AV4

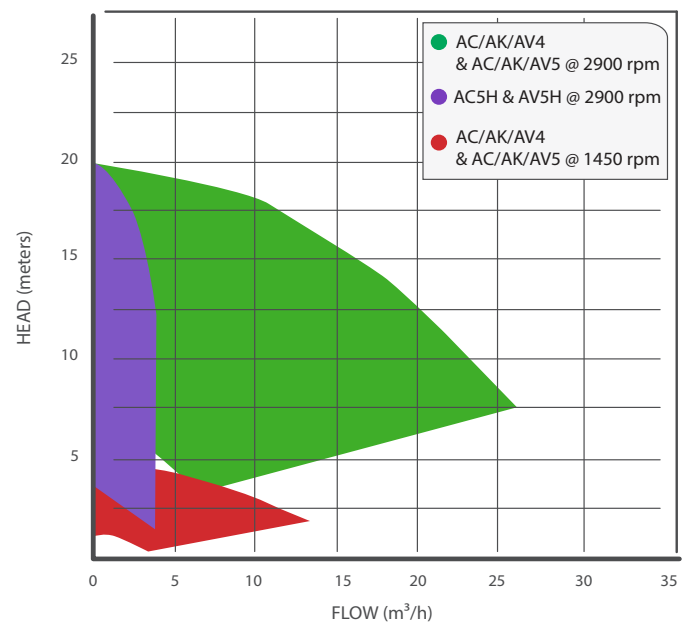
Typical Applications

- Chemical processing
- Printed circuit boards
- Pharmaceutical
- Waste water treatment

60 Hz, 3450 & 1725 rpm



50 Hz, 2900 & 1450 rpm



*AV & AK models are not recommended for use with hot solutions. Please contact FTI Sales with application details for review.

AP SERIES

Specifications

Model	Suction x Discharge	Impeller Size		Maximum Flow		Maximum Head		Motor Drive	
	FNPT or FBSP inch	inch	cm	3450 rpm gpm	2900 rpm m ³ /h	3450 rpm ft	2900 rpm m	3450 rpm hp	2900 rpm kW
AC4/AV4/AK4	3/4 x 1/2	3 3-1/4 3-1/2	7.6 8.2 8.8	33 - 39	5.9 - 7.0	44 - 60	8.4 - 11.7	1/2 - 1	0.18 - 0.37
AC5 AV5/AK5*	1-1/4 x 3/4 1-1/2 x 1-1/4* 2 x 1-1/2	4 4-1/4 4-1/2 4-3/4	10.1 10.8 11.4 12.0	70 - 145	12 - 26.3	35 - 89	6.1 - 18.5	3/4 - 3	0.37 - 1.1
AC5H/AV5H	1/2 x 1/4	4-3/4	12.0	17	3.1	96	19	1/2 - 3/4	0.18 - 0.25

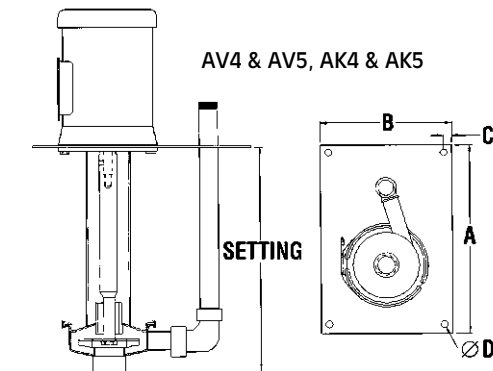
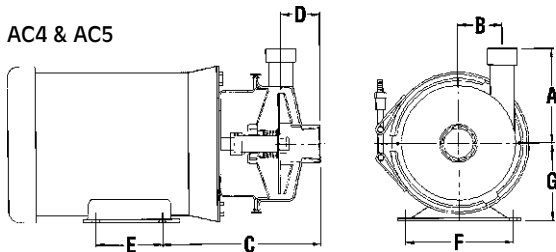
Model	Suction x Discharge	Impeller Size		Maximum Flow		Maximum Head		Motor Drive	
	FNPT or FBSP inch	inch	cm	1725 rpm gpm	1450 rpm m ³ /h	1725 rpm ft	1450 rpm m	1725 rpm hp	1450 rpm kW
AC4/AV4/AK4	3/4 x 1/2	3 3-1/4 3-1/2	7.6 8.2 8.8	16 - 18.5	2.8 - 3.3	9.5 - 13.2	2 - 2.8	1/4	0.18
AC5 AV5/AK5*	1-1/4 x 3/4 1-1/2 x 1-1/4* 2 x 1-1/2	4 4-1/4 4-1/2 4-3/4	10.1 10.8 11.4 12.0	38 - 72	6.8 - 13.1	7 - 21	0.6 - 4.4	1/4 - 1/2	0.18
AC5H/AV5H	1/2 x 1/4	4-3/4	12.0	8.5	1.5	24	5.1	1/3	0.18

*AV/AK5 available with 1-1/2 x 1-1/4 port size only

Dimensions

MOTOR FRAME	SUCTION x DISCHARGE	A	B	C	D	E	F	G
56C (in)	2 x 1-1/2	5-1/4	1-3/8	7-1/2	2	3	4-7/8	3-1/2
	1-1/2 x 1-1/4	5-1/4	1-3/8	7-3/8	1-7/8	3	4-7/8	3-1/2
	1-1/4 x 3/4	4-1/4	1-7/8	7-1/4	1-3/4	3	4-7/8	3-1/2
	3/4 x 1/2	4	1-5/8	6-3/4	1-1/2	3	4-7/8	3-1/2
	1/2 x 1/4	4	2-1/4	6-5/8	1-3/4	3	4-7/8	3-1/2
80/90 (cm)	5.08 x 3.81	13.3	3.4	20	5	10	12.5/14	8/9
	3.81 x 3.18	13.3	3.4	20	4.7	10	12.5/14	8/9
	3.18 x 1.91	10.7	4.7	19	4.4	10	12.5/14	8/9
71 (cm)	1.91 X 1.27	10.1	4.1	18	3.8	9	11.2	7.1
	1.27 X 0.64	10.1	5.7	17	4.4	9	11.2	7.1

*Approximate dimensions on the 80/90 and 71 frames. Confirm with factory before ordering.



MOTOR FRAME	SUCTION	DISCHARGE	SETTING	A	B	C	D
56J (in)	1-1/2	1-1/4	12/24/36	15	10	3/4	7/16
	3/4	1/2	12/24/36	15	10	3/4	7/16
	1/2	1/4	12/24/36	15	10	3/4	7/16



finishthompson.com

FINISH THOMPSON INC. - UNITED STATES

921 Greengarden Road | Erie, PA 16501
800.934.9384 | ph 814.455.4478 | fx 814.455.8518
email fti@finishthompson.com

FINISH THOMPSON INC. - GERMANY

Otto-Hahn-Strasse 16 | Maintal, D-63477 Germany
49 (0)6181-90878-0 | fx 49 (0)6181-90878-18
email fti@finishthompson.com