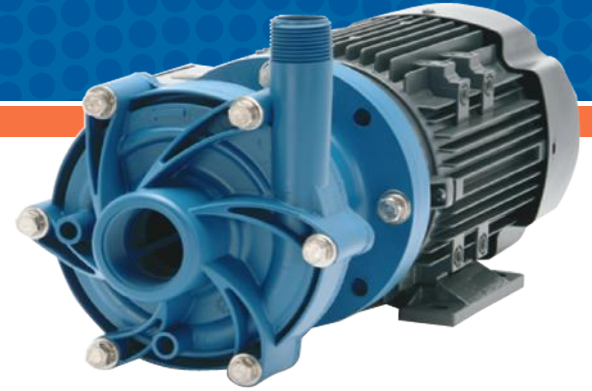


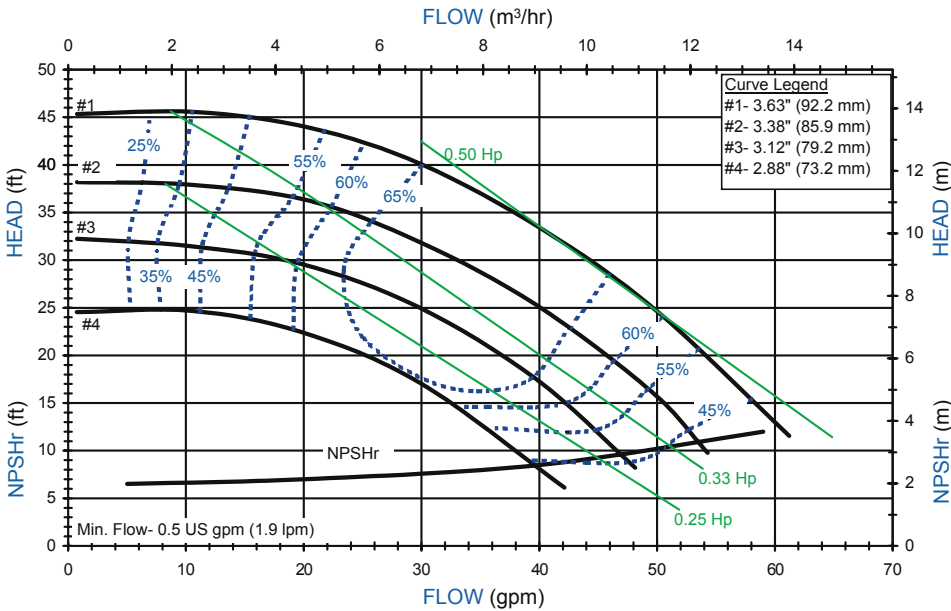


DB SERIES

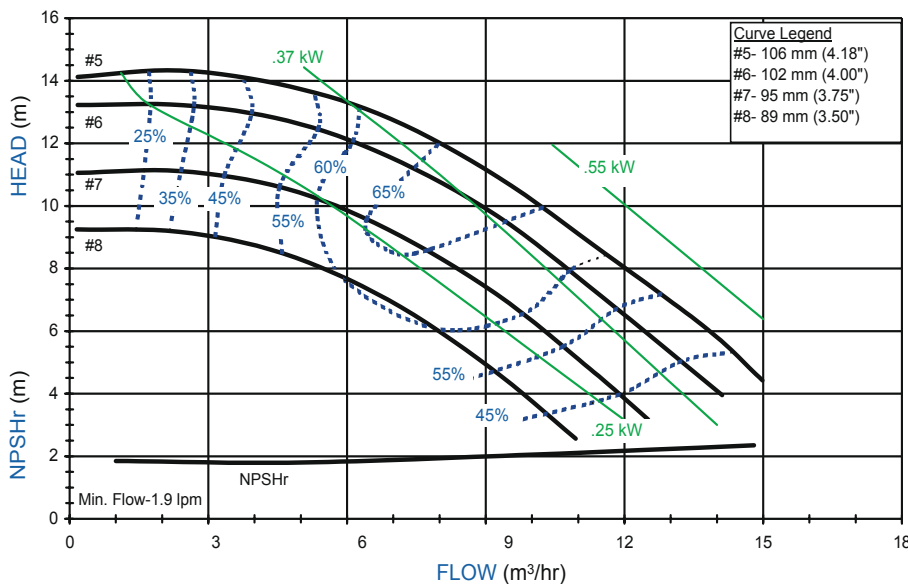
MODEL DB8



DB8 PERFORMANCE 3450 RPM



DB8 PERFORMANCE 2900 RPM



FEATURES & CAPABILITIES

- + Five-year warranty
- + Extended run dry ability (with carbon bushing)
- + High operating efficiency
- + Polypropylene or PVDF construction
- + Powerful neodymium magnets
- + Close-coupled design
- + Threaded (NPT or BSP), flanged, or union connections
- + Horizontal or vertical installation with IEC motor
- + Back pullout design
- + Mounts to NEMA and IEC (B5 & B14) motor frames
- + Easy set measurement free drive
- + ISO 1940 G2.5 balancing
- + CE certified/ATEX available
- + Working pressure to 80 psi (5.5 bar)
- + Specific gravity over 1.8
- + Viscosity up to 150 cP
- + Polypropylene—180° F (82° C)
- + PVDF—220° F (104° C)

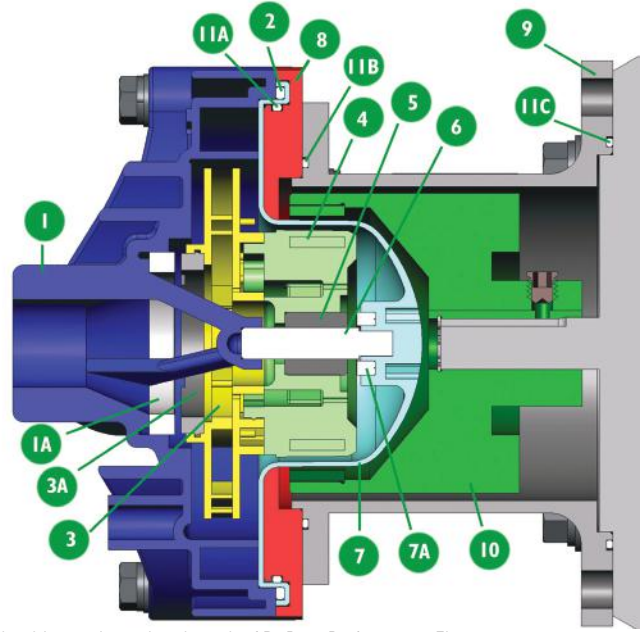
APPLICATIONS

- + Chemical processing
- + Plating
- + Water and wastewater
- + Electronics
- + Pharmaceuticals
- + Wet scrubber
- + Pulp and paper
- + Heat exchanger
- + and many more!

DB SERIES

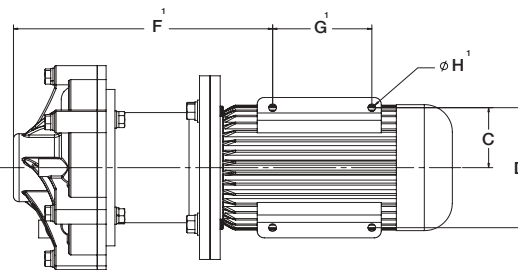
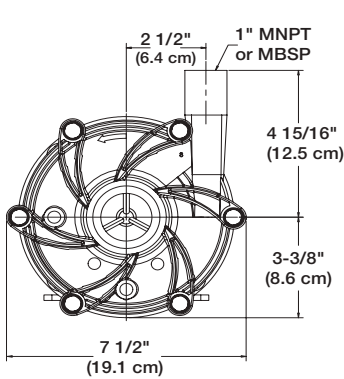
Specifications

| Description | Polypropylene | PVDF |
|---|---|--|
| 1 Impeller housing | Glass-fiber reinforced polypropylene (GF PP) | Carbon-fiber reinforced PVDF (CF PVDF) |
| 1A Impeller housing thrust ring | High purity alumina ceramic or silicon carbide (SiC) | |
| 2 O-ring | FKM, EPDM, Simriz®, or Kalrez | |
| 3 Impeller | GF PP | CF PVDF |
| 3A Impeller thrust ring | GF molybdenum disulfide filled PTFE, or SiC | |
| 4 Inner drive | Neodymium iron boron magnets encapsulated in unfilled polypropylene | Neodymium iron boron magnets encapsulated in unfilled PVDF |
| 5 Bushing | Carbon, PTFE, high purity alumina ceramic, or SiC | |
| 6 Shaft | High purity alumina ceramic, Hastelloy® C, or SiC | |
| 7 Barrier | GF PP | CF PVDF |
| 7A Barrier thrust ring | Silicon carbide | |
| 8 Clamp ring | Ductile iron | |
| 9 Motor adapter | GF PP | |
| 10 Outer drive magnets | Nickel-plated neodymium iron boron magnets/ steel | |
| 11A Motor adapter sealing kit (NEMA only) | Buna N, FKM, or EPDM | |
| 11B | | |
| 11C | | |

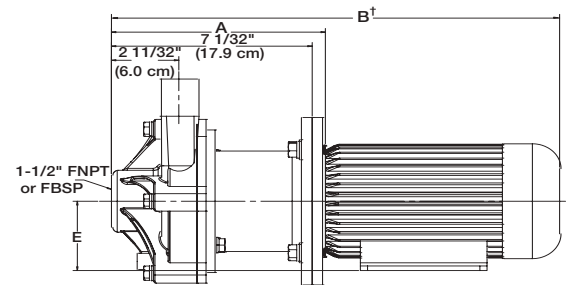


Kalrez® is a registered trademark of DuPont Performance Elastomers
 Simriz® Perfluoroelastomer is a registered trademark of the Simrit® division of Freudenberg-NOK
 Hastelloy® C is a registered trademark of Haynes International, Inc.

Dimensions



Also available 1-1/2" x 1" 150 lb. ANSI/ISO PN20/PN40/JIS 10K or 50mm x 32mm union connection. Flanges are in compliance with bolting dimensions only.



¹Dimensions for F, G, and H can be found in the Outline Dimensions booklet in the Resources section of www.finishthompson.com.

| Motor Frame | A | B [†] | C | D | E | lbs. [kg] PP | lbs. [kg] PVDF |
|--------------------|--------------------|---------------------|-------------------|--------------------|-------------------|--------------|----------------|
| NEMA 56C | 7-3/32" [18.0 cm] | 17-11/32" [44.1 cm] | 2-7/16" [6.2 cm] | 4-7/8" [12.4 cm] | 3-1/2" [8.9 cm] | 10.5 [4.8] | 11.1 [5.0] |
| NEMA 145TC | 7-3/32" [18.0 cm] | 17-27/32" [45.3 cm] | 2-3/4" [7.0 cm] | 5-1/2" [14.0 cm] | 3-1/2" [8.9 cm] | 10.5 [4.8] | 11.1 [5.0] |
| IEC 63 w/B14 or B5 | 7-17/32" [19.1 cm] | 14-25/32" [37.5 cm] | 1-31/32" [5.0 cm] | 3-15/16" [10.0 cm] | 2-15/32" [6.3 cm] | 14.0 [6.4] | 15.0 [6.8] |
| IEC 71 w/B14 or B5 | 7-17/32" [19.1 cm] | 15-23/32" [39.9 cm] | 2-7/32" [5.6 cm] | 4-13/32" [11.2 cm] | 2-25/32" [7.1 cm] | 14.0 [6.4] | 15.0 [6.8] |
| IEC 80 w/B14 or B5 | 7-23/32" [19.6 cm] | 17-7/32" [43.7 cm] | 2-15/32" [6.3 cm] | 4-29/32" [12.5 cm] | 3-5/32" [8.0 cm] | 11.0 [5.0] | 12.0 [5.4] |

Dimensions and weights are for reference only. Weights listed are for pump only; motor not included.

†Varies with motor manufacturer.



FINISH THOMPSON INC. - HEADQUARTERS
 921 Greengarden Road | Erie, PA 16501
 800.934.9384 | ph 814.455.4478 | fx 814.455.8518
 email fti@finishthompson.com

FINISH THOMPSON INC. - EUROPE CENTER
 Otto-Hahn-Strasse 16 | Maintal, D-63477 Germany
 49 (0)6181-90878-0 | fx 49 (0)6181-90878-18
 email fti@finishthompson.com