



MSKC SERIES

MODEL MSKC



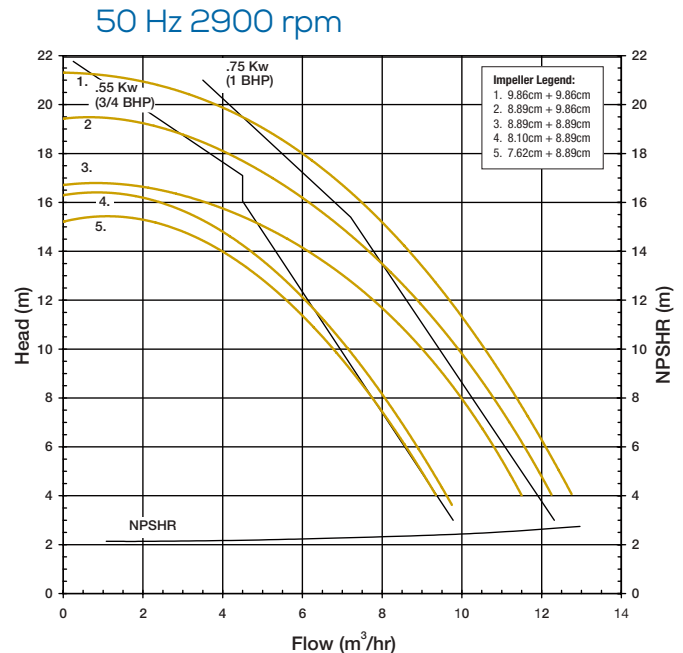
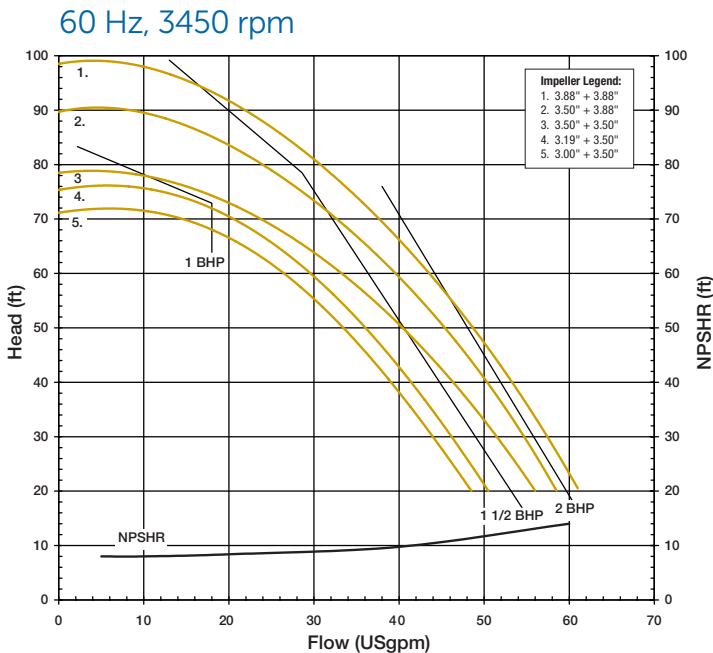
Features

- Sealless mag drive technology - eliminates costly seal problems
- Multi-Stage design: Generates increased head at low flow rates, low power consumption, wide hydraulic envelope allows for mix and match impeller sizes
- Small footprint - avoids large impeller diameters
- Unique interconnecting drive shaft - transmits torque from magnetic coupling to first stage impeller
- Independent thrust bearings at each stage for maximum reliability
- Polypropylene or PVDF construction
- Accepts standard NEMA 56C or IEC 71/B14, 80/B14 frame motors
- Maximum working pressure 80 psi
- Maximum temperature: 180°F (82°C) - Polypropylene
220°F (104°C) - PVDF
- Maximum flow 60 gpm (12.8 m³/hr.), maximum head 100 ft. (21.3 m)

Multi-Stage is also available in a vertical design.

Typical Applications

- High pressure/low flow applications for chemical processing, spraying, bulk unload, tank transfer
- Plating recirculation/filtration, PCB etching/rinse
- Water/waste water treatment, wet scrubber
- Laboratory, pharmaceutical, photo processing



Note: numbers 1, 2, 3, 4, 5 on curves indicate impeller diameter combinations. See specifications

MSKC SERIES

Specifications

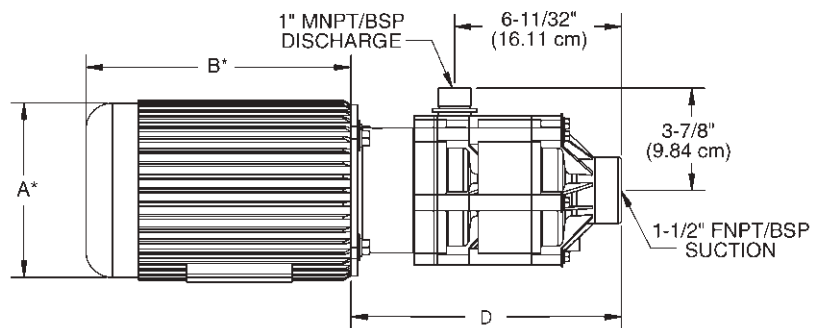
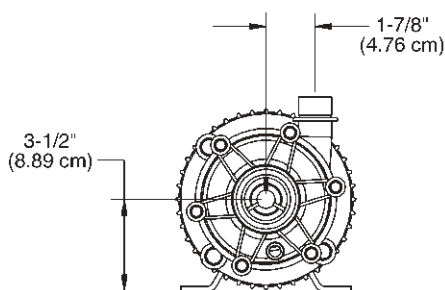
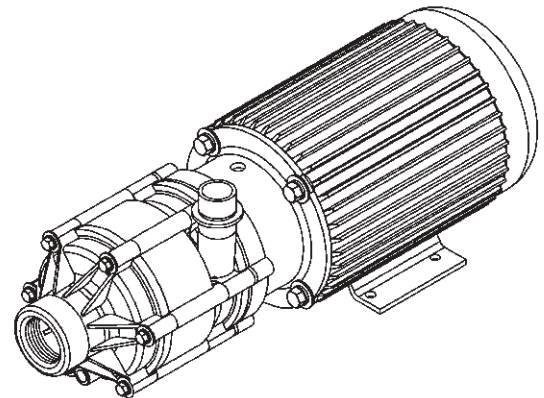
| Model | Suction x Discharge | Impeller Size | | Maximum Flow | | Maximum Head | | Motor Drive | | Max. S.G. @ 50 cP |
|-------|-------------------------------------|---------------|-----------|-----------------|-------------------------------|----------------|---------------|----------------|----------------|-------------------|
| | inch | inch | cm | 3450 rpm gpm | 2900 rpm m ³ /h | 3450 rpm ft | 2900 rpm m | 3450 rpm hp | 2900 rpm kW | |
| MSKC | 1-1/2" FNPT/BSP x 1" MNPT/BSP | 3.88+3.88 | 9.86+9.86 | 61 | 12.7 | 99 | 21.3 | 3 | 1.1 | 1.5 |
| | | 3.50+3.88 | 8.89+9.86 | 59 | 12.2 | 90 | 19.4 | 2 | 1.1 | 1.5 |
| | | 3.50+3.50 | 8.89+8.89 | 56 | 11.5 | 79 | 16.7 | 2 | 0.75 | 1.5 |
| | | 3.19+3.50 | 8.10+8.89 | 51 | 9.7 | 75 | 16.2 | 1.5 | 0.75 | 1.8 |
| | | 3.00+3.50 | 7.62+8.89 | 49 | 9.3 | 71 | 15.2 | 1.5 | 0.55 | 1.8 |

Note: Actual performance may vary with conditions.

Dimensions

| Model | Motor Frame | A* | | B* | | C | | D | |
|-------|-------------|---------|------|----|------|---------|-----|---------|-------|
| | | in | cm | in | cm | in | cm | in | cm |
| MSKC | 56C | 6-1/2 | 16.5 | 8 | 20.3 | 3-1/2 | 8.9 | 10-9/32 | 26.11 |
| | 71 IEC | 4-1/8 | 10.5 | 8 | 20.3 | 2-13/16 | 7.1 | 10-9/32 | 26.11 |
| | 80 IEC | 4-23/32 | 12 | 9 | 22.9 | 3-5/32 | 7.0 | 10-9/32 | 26.11 |

*Varies with motor manufacturer.



FINISH THOMPSON INC. - HEADQUARTERS

921 Greengarden Road | Erie, PA 16501
 800.934.9384 | ph 814.455.4478 | fx 814.455.8518
 email fti@finishthompson.com

FINISH THOMPSON INC. - EUROPE CENTER

Otto-Hahn-Strasse 16 | Maintal, D-63477 Germany
 49 (0)6181-90878-0 | fx 49 (0)6181-90878-18
 email fti@finishthompson.com