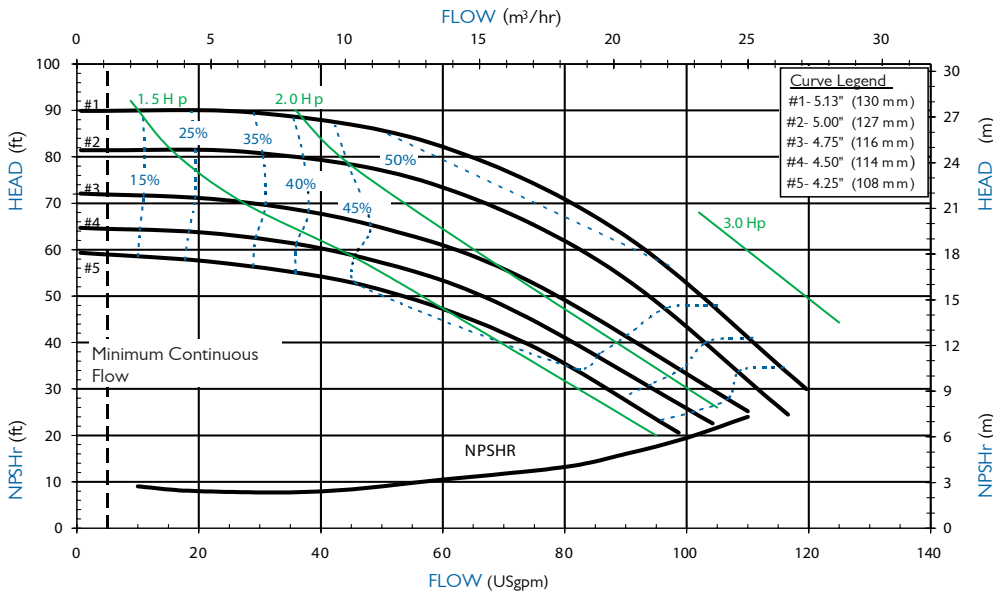




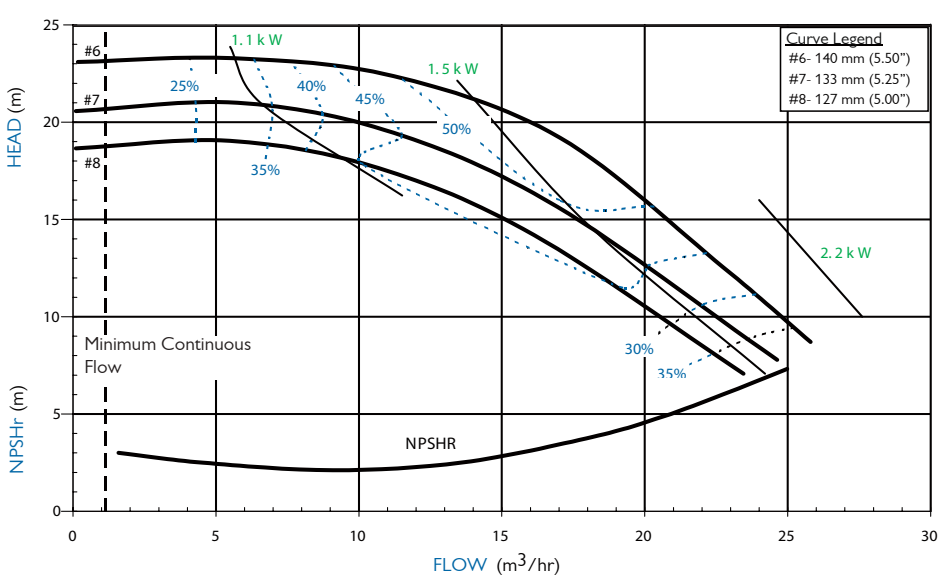
SP SERIES MODEL SP15



SP15 PERFORMANCE Flooded Suction 3450 RPM*



SP15 PERFORMANCE Flooded Suction 2900 RPM*



Notes: Performance curves above are based on flooded suction.

*Performance will vary with suction lift conditions. For performance at various suction lifts, see curve book on FTI web site (www.finishthompson.com) or contact factory.

Warning! SP Series not recommended for pumping flammables!

FEATURES & CAPABILITIES

- + Self-priming, magnetic drive
- + Five-year warranty
- + Provides up to 25 ft. (7.6 m) lift or equivalent
- + Primes 18 ft. (5.5 m) in 90 seconds with maximum diameter impeller
- + Retains fluid for re-priming when shut off without a check valve
- + Extended run dry ability (with carbon bushing)
- + High operating efficiency
- + Polypropylene or PVDF construction
- + Powerful neodymium magnets
- + Close-coupled design
- + Threaded (NPT or BSP), union or flange connections
- + Back pullout design
- + Mounts to NEMA and (B5 & B14) IEC motor frames
- + Easy set measurement free drive
- + ISO 1940 G2.5 balancing
- + CE certified
- + High working pressure up to 90 psi (6.2 bar)
- + Specific gravity over 1.8
- + Polypropylene—180° F (82° C)
- + PVDF—220° F (104° C)

APPLICATIONS

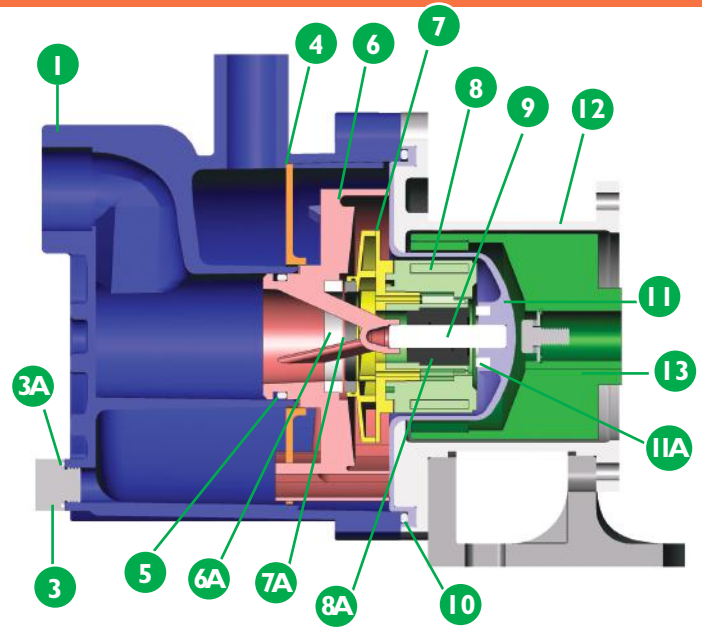
- + Rail cars
- + Tanker trucks
- + Tanks with an opening on top
- + Bulk storage to day or process tank transfer
- + Sumps and reservoirs
- + Below grade storage tanks
- + Over-the-wall applications
- + When run-dry protection is needed
- + and many more!

SP SERIES

Specifications

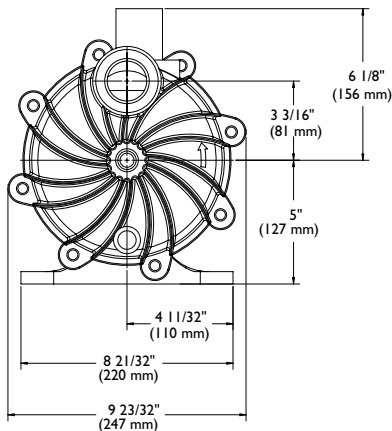
| Description | Polypropylene | PVDF |
|-----------------------------|---|--|
| 1 Housing | Glass-fiber reinforced polypropylene (GF PP) | Carbon-fiber reinforced PVDF (CF PVDF) |
| 4 Separator plate | | |
| 6 Inner volute | | |
| 7 Impeller | | |
| 3A, 5, 10 O-ring options | FKM, EPDM | |
| 3 Fill and drain plugs* | Polypropylene | PVDF |
| 6A Inner volute thrust ring | High purity alumina ceramic, or silicon carbide (SiC) | |
| 7A Impeller thrust ring | GF molybdenum disulfide filled PTFE, or SiC | |
| 8 Inner drive | Neodymium iron boron magnets encapsulated in unfilled polypropylene | Neodymium iron boron magnets encapsulated in unfilled PVDF |
| 8A Bushing | Carbon, PTFE, high purity alumina ceramic, or SiC | |
| 9 Shaft | High purity alumina ceramic, Hastelloy® C, or SiC | |
| 11 Barrier | GF PP | CF PVDF |
| 11A Barrier thrust ring | High purity alumina ceramic | |
| 12 Motor adapter | Ductile iron | |
| 13 Outer drive magnets | Nickel-plated neodymium iron boron magnets/steel | |

*Fill plug not shown

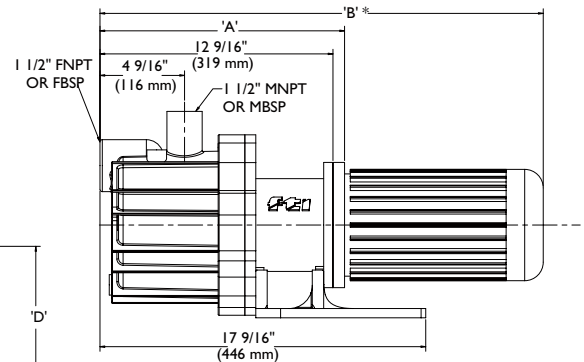
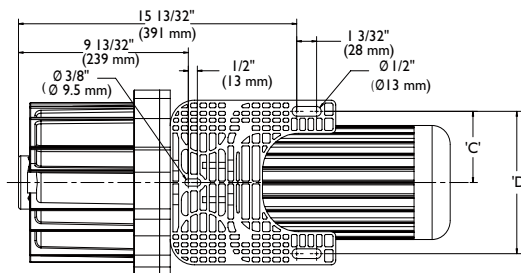


Hastelloy® C is a registered trademark of Haynes International, Inc.

Dimensions



Also available 1-1/2" x 1-1/2" 150 lb. ANSI/ISO PN20/PN40/JIS 10K or 50mm x 50mm union connection. Flanges are in compliance with bolting dimensions only.



| Motor Frame | A | B | C [†] | D [†] | lbs. [kg] PP | lbs. [kg] PVDF |
|-----------------------|--------------------|---------------------|------------------|--------------------|--------------|----------------|
| NEMA 56C | 12-9/16" [31.9 cm] | 24-9/16" [62.4 cm] | 3-3/4" [9.5 cm] | 7-1/2" [19.1 cm] | 25 [11.3] | 30 [13.6] |
| NEMA 145TC | 12-9/16" [31.9 cm] | 23-5/16" [59.2 cm] | 3-3/4" [9.5 cm] | 7-1/2" [19.1 cm] | 25 [11.3] | 30 [13.6] |
| NEMA 184TC | 13-7/16" [31.4 cm] | 25-11/16" [66.6 cm] | 3-3/4" [9.5 cm] | 7-1/2" [19.1 cm] | 26 [11.8] | 31 [14.1] |
| IEC 80/90 w/B14 or B5 | 13-3/16" [33.5 cm] | 23-7/8" [60.6 cm] | 3-3/4" [9.5 cm] | 7-1/2" [19.1 cm] | 25.5 [11.6] | 30.5 [13.8] |
| IEC 100 w/B14 | 13-1/4" [33.7 cm] | 25-13/32" [64.5 cm] | 3-5/32" [8.0 cm] | 6-10/32" [16.0 cm] | 25.5 [11.6] | 30.5 [13.8] |
| IEC 112 w/B14 | 13-1/4" [33.7 cm] | 25-29/32" [65.8 cm] | 3-3/4" [9.5 cm] | 7-1/2" [19.1 cm] | 25.5 [11.6] | 30.5 [13.8] |
| IEC 100 w/B5 | 13-1/4" [33.7 cm] | 25-25/32" [65.5 cm] | 3-5/32" [8.0 cm] | 6-10/32" [16.0 cm] | 31.5 [14.3] | 36.5 [16.6] |
| IEC112 w/B5 | 13-1/4" [33.7 cm] | 26-5/8" [67.6 cm] | 3-3/4" [9.5 cm] | 6-10/32" [16.0 cm] | 31.5 [14.3] | 36.5 [16.6] |

Dimensions and weights are for reference only. Weights listed are for pump only; motor not included.

[†]Varies with motor manufacturer.



finishthompson.com

FINISH THOMPSON INC. - UNITED STATES

921 Greengarden Road | Erie, PA 16501
 800.934.9384 | ph 814.455.4478 | fx 814.455.8518
 email fti@finishthompson.com

FINISH THOMPSON INC. - GERMANY

Otto-Hahn-Strasse 16 | Maintal, D-63477 Germany
 49 (0)6181-90878-0 | fx 49 (0)6181-90878-18
 email fti@finishthompson.com