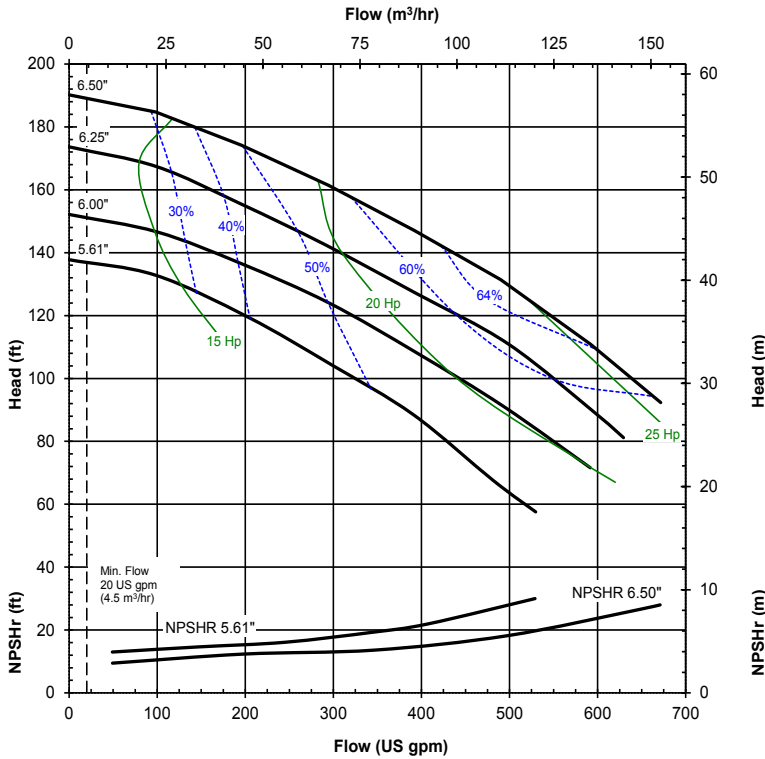




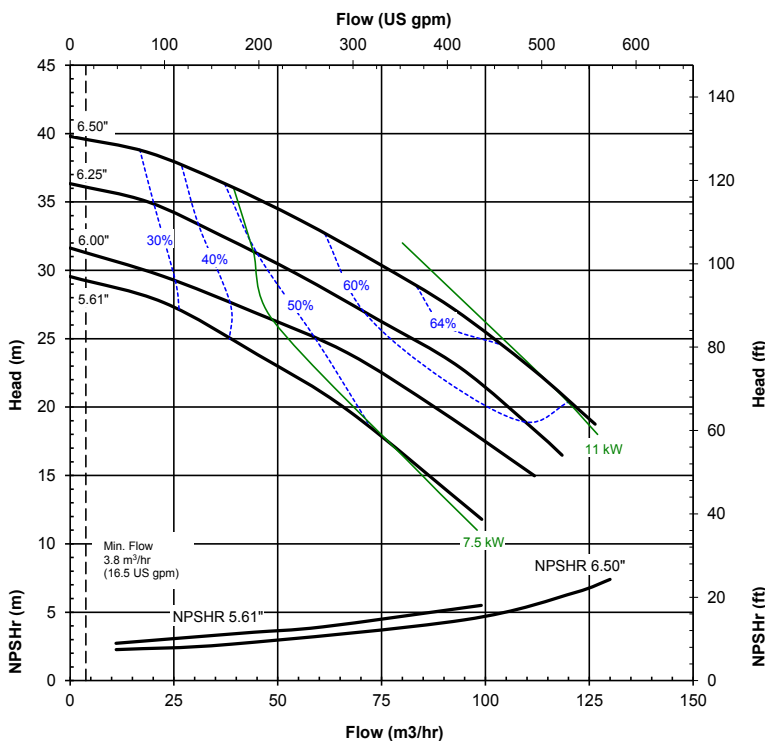
UC SERIES MODEL UC436 (-- 4X3X6)



UC436 PERFORMANCE 3500 RPM, 60 Hz



UC436 PERFORMANCE 2900 RPM, 50 Hz



FEATURES

- Durable, corrosion-resistant Tefzel® lined ductile iron casing
- Casing meets ANSI B73.1m & 73.3 for foot and flange location
- Powerful neodymium magnets for dependable, leak-free operation
- Volute with partial splitter reduces radial thrust load
- Rear sealing ring to balance axial thrust
- Dual bushings provide optimum alignment
- Suction shaft support with integral straightening vanes
- Replaceable 2-piece impeller and drive hub
- Run dry capability with carbon or Dri-Coat SiC bushing
- Easy-set measurement free outer drive
- Exclusive vapor protection package to protect outer magnetic drive and motor face from corrosive fumes
- Back pull-out design
- Casing drain standard
- Specific gravity over 1.8
- Accepts standard NEMA 143-365 or IEC 90-225 motor frames
- ANSI or ISO flange mountable
- ATEX certified models available



TYPICAL APPLICATIONS

- Paper Mills
- Water treatment
- Plating & metal finishing
- Chemical manufacturing, blending, distribution
- Fume scrubbers
- Pharmaceuticals
- Truck loading/unloading
- Metals manufacturing
- Electronics

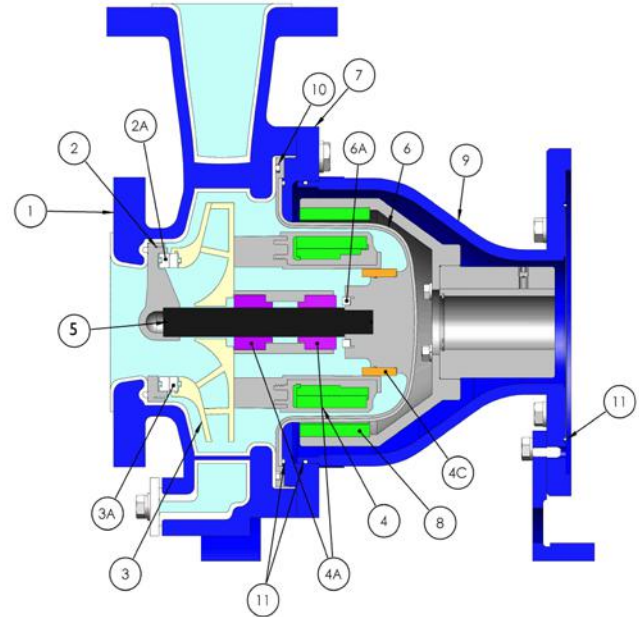
TYPICAL CHEMICALS

- Sodium hydroxide
- Sulfuric acid
- Hydrochloric acid
- Sodium hypochlorite
- Plating solutions
- Corrosive blends
- Solvents
- Wastewater

*Tefzel® Fluoropolymer Resin is a registered trademark of DuPont

UC SERIES

| Item No. | Description | Construction |
|----------|--------------------------|---|
| 1 | Casing | Cast ductile iron, DuPont Tefzel® (ETFE) lined |
| 2 | Shaft support | Carbon fiber filled ETFE |
| 2A | Front thrust ring | Alpha sintered silicon carbide |
| 3 | Impeller | Carbon fiber filled ETFE |
| 3A | Impeller thrust washer | Alpha sintered silicon carbide |
| 4 | Inner drive | Neodymium iron boron magnets encapsulated in ETFE |
| 4A | Bushing | Alpha sintered silicon carbide, Dri-Coat silicon carbide, or carbon |
| 4C | Rear sealing ring | GF molybdenum disulfide-filled PTFE |
| 5 | Shaft | Alpha sintered silicon carbide |
| 6 | Barrier | Molded CF ETFE liner with Aramid Reinforced Epoxy external shell |
| 6A | Barrier thrust ring | Alpha sintered silicon carbide |
| 7 | Clamp ring | Painted ductile iron |
| 8 | Outer drive magnet | Nickel-plated neodymium iron boron magnets/painted ductile iron |
| 9 | Motor adapter | Ductile iron |
| 10 | O-ring | FKM, EPDM, FEP/FKM, Kalrez®, Simriz®, or Afias® |
| 11 | Vapor protection o-rings | Buna |



Kalrez® is a registered trademark of DuPont Performance Elastomers
 Simriz® Perfluoroelastomer is a registered trademark of Simrit® division of Freudenberg-NOK.
 Afias® is a trademark of the Asahi Glass Co., Ltd.

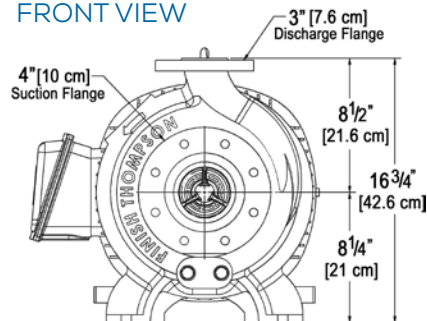
SPECIFICATIONS

| HP (kW) | Impeller Diameter | Suction | Discharge | Max. Flow 3500 rpm | | Max. Head 3500 rpm | | Max. Working Pressure psi (Bar) | Max. Viscosity cP | Max. Specific Gravity | Max. Temp.* °F (°C) |
|-------------------|-----------------------------|----------|-----------|--------------------|--------------------|--------------------|----|---------------------------------|-------------------|-----------------------|---------------------|
| | in (cm) | | | gpm | m ³ /hr | ft. | m | | | | |
| 1 - 75 (1.5 - 55) | 5-5/8 - 6-1/2 (14.3 - 16.5) | 4 (10.2) | 3 (7.6) | 670 | 152 | 190 | 58 | 300 (20.7) | 200 | 1.8 | 250 (121) |

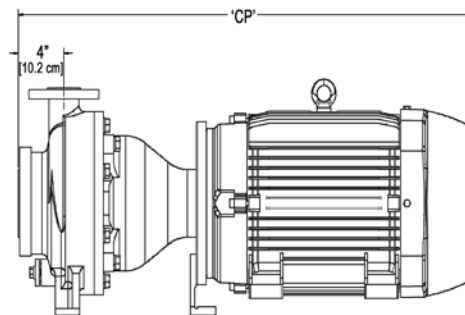
*Except E magnet set: maximum 220° F (104° C)
 Note: Impeller trims available every 1/8" (.32 cm) between the smallest and largest diameters.

DIMENSIONS

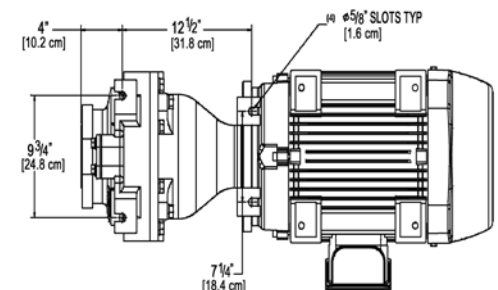
FRONT VIEW



SIDE VIEW



BOTTOM VIEW



ANSI 150#, 300#, & ISO/DIN PN40 flanges are in compliance with bolting dimensions only.

| NEMA Motor Frames | CP (approx.) | |
|-------------------|--------------|-------|
| | in | cm |
| 143-145TC | 27-11/16 | 70.3 |
| 182/184TC | 29-9/16 | 75.1 |
| 213/215TC | 32-5/8 | 82.9 |
| 254/256TC | 37-1/2 | 95.3 |
| 282/284TC/TSC | 39-27/32 | 101.2 |
| 324/326TC/TSC | 44-21/32 | 113.4 |
| 364/365TC/TSC | 46-27/32 | 119.0 |

| IEC Motor Frames | CP (approx.) | |
|------------------|--------------|-------|
| | in | cm |
| 90 | 27-15/32 | 69.8 |
| 100/112 | 28-29/32 | 73.4 |
| 132 | 32-9/16 | 82.7 |
| 160 | 38-9/32 | 97.2 |
| 180 | 40-9/16 | 103 |
| 200 | 43-3/32 | 109.5 |
| 225 | 46-21/32 | 118.5 |



finishthompson.com

FINISH THOMPSON INC. - UNITED STATES

921 Greengarden Road | Erie, PA 16501
 800.934.9384 | ph 814.455.4478 | fx 814.455.8518
 email fti@finishthompson.com

FINISH THOMPSON INC. - GERMANY

Otto-Hahn-Strasse 16 | Maintal, D-63477 Germany
 49 (0)6181-90878-0 | fx 49 (0)6181-90878-18
 email fti@finishthompson.com