

Husky 205 Plastic Pumps

Air-Operated Double-Diaphragm

Features

- 1/4 in (6.35 mm) end-porting
- Low-cost, compact design
- Spring check valves for superior priming in any mounting configuration
- True-formed PTFE and Santoprene diaphragms for enhanced performance
- External controller for optional remote operation

Typical Applications

- Supply pump for OEM applications
- Printing ink supply
- Wastewater chemical supply
- Plating/surface finishing
- Chemical dosing

Typical Fluids Handled

- Waterborne materials, some HHC's
- Paints, coatings, inks and dyes
- Car wash chemicals
- Laundry chemicals and detergents
- Chemicals
- Inks



*Husky 205 Groundable Acetal
D1102X or D2102X*



*Husky 205 Polypropylene
D1209X or D2209X*



*Husky 205 PVDF
D150AX or D250AX*

Husky 205

Plastic Pumps

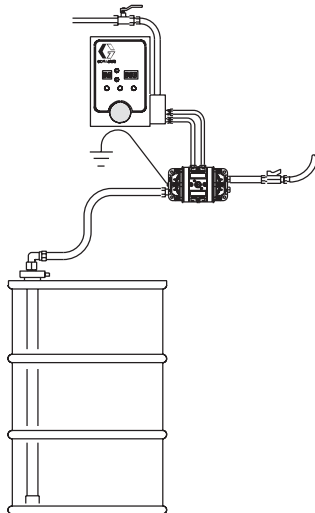
Technical Specifications

Maximum fluid working pressure	100 psi (7 bar, 0.7 MPa)
Maximum free flow delivery*	5.0 gpm (18.9 lpm)
Maximum pump speed	250 cpm
Displacement per cycle**	0.02 gallon (0.076 liter)
Maximum suction lift (D12096)	10 ft (3 m) dry
Maximum size pumpable solids	0.06 in (1.5 mm)
Maximum diaphragm operating temperature***	
PTFE	220°F (104.4°C)
Santoprene	180°F (82.2°C)
Typical sound level at 70 psi (4.9 bar, 0.49 MPa) air @ 125 cpm	70 dBa
Maximum air consumption	9.0 scfm (0.252 m ³ /min)
Air pressure operating range	20 to 100 psi (1.4 to 8.4 bar, 0.14 to 0.84 MPa)
Air inlet size	1/4 npt(f)
Air exhaust port size	1/4 npt(f)
Fluid inlet & outlet size****	1/4 npt(f)
Weight	
Polypropylene	2.0 lb (0.9 kg)
Acetal	2.5 lb (1.1 kg)
PVDF	2.8 lb (1.3 kg)
Wetted parts (in addition to ball, seat and diaphragm materials—which may vary by pump)	
Polypropylene pump	Glass-filled Polypropylene, Santoprene, PTFE, Polypropylene
Acetal pump	Acetal with Stainless Steel fibers, PTFE, Acetal, Santoprene
PVDF pump	PVDF, PTFE, Santoprene
Instruction manual	308652

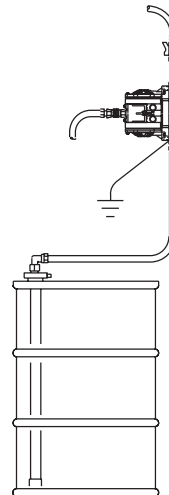
* Flow rates are with muffler and do not vary based on diaphragm material
 ** Displacement per cycle may vary based on suction condition, discharge head, air pressure and fluid type
 *** Actual pump performance may be affected by prolonged usage at temperature
 **** Hybrid thread allows for either 1/4 npt or 1/4 bspt fitting

System Drawings

Husky 205 Wall-Mount with CycleFlo



Husky 205 Wall-Mount with Drum Feed



Husky 205

Plastic Pumps

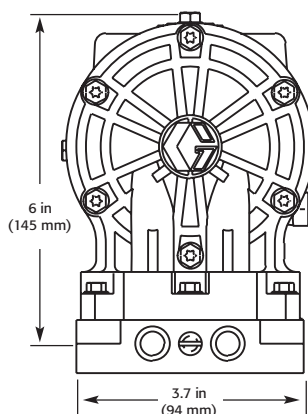
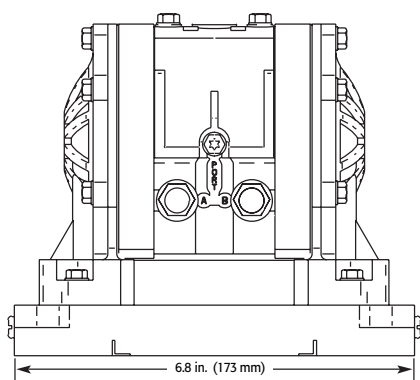
Ordering Information

The highlighted areas indicate possible configurations for the Husky 205 plastic pump.

PUMP SIZE (AIR MOTOR TYPE AND MATERIAL)	WETTED PARTS	SEATS	BALLS	DIAPHRAGM
1 = 1/4" (6.35 mm) Standard: polypropylene center section	1 = Acetal (npt)	2 = Acetal	1 = PTFE	1 = PTFE
2 = 1/4" (6.35 mm) Remote: polypropylene center section	2 = Poly (npt)	3 = Stainless Steel	2 = Acetal	5 = TPE
3 = 3/8" (9.52 mm) Standard: aluminum center section	3 = Aluminum (npt)	4 = Hardened SST	3 = Stainless Steel	6 = Santoprene
5 = 1/2" (12.7 mm) Standard: polypropylene center section	4 = Stainless Steel (npt)	5 = TPE	4 = Hardened SST	7 = Buna N
4 = 1/2" (12.7 mm) Remote: polypropylene center section	5 = PVDF (npt)	6 = Santoprene	5 = TPE	8 = Fluoroelastomer
5 = 3/4" (19.05 mm) Standard: polypropylene center section	6 = Ductile Iron (npt)	7 = Buna N	6 = Santoprene	G = Geolast
4 = 3/4" (19.05 mm) Remote: polypropylene center section		8 = Fluoroelastomer	7 = Buna N	
7 = 1" (25.4 mm) Standard: aluminum center section	A = Acetal * (bsp)	9 = Polypropylene	8 = Fluoroelastomer	
8 = 1" (25.4 mm) Remote: aluminum center section	B = Poly * (bsp)	A = PVDF	9 = Polypropylene	
R = 1" (25.4 mm) Standard: stainless steel center section	C = Aluminum (bsp)	G = Geolast	A = PVDF	
S = 1" (25.4 mm) Remote: stainless steel center section	D = Stainless Steel (bsp)	B = SST with viton seal	G = Geolast	
B = 1-1/2" (38.1 mm) Standard: aluminum center section	E = PVDF (bsp)	C = Santoprene with viton seal		
C = 1-1/2" (38.1 mm) Remote: aluminum center section	F = Ductile Iron (bsp)			
T = 1-1/2" (38.1 mm) Standard: stainless steel center section				
U = 1-1/2" (38.1 mm) Remote: stainless steel center section	H = 2 npt Alum Extended			
F = 2" (50.8 mm) Standard: aluminum center section	G = 2 bsp Alum Extended			
G = 2" (50.8 mm) Remote: aluminum center section				
V = 2" (50.8 mm) Standard: stainless steel center section				
W = 2" (50.8 mm) Remote: stainless steel center section				
K = 3" (76.2 mm) Standard: aluminum center section				

* = BSP plastic in 1/2" (12.7mm) pumps
 1" > Plastic pumps flange connections
 3" Aluminum pumps flange connections

Dimensions



Husky 205

Plastic Pumps

Popular Models

Material	Part Number (NPT Ported)*		Part Number (BSP Ported)*		Materials for Seats	Materials for Balls	Materials for Diaphragms	Fluid Kit	Air Kit	Air Control**
	Standard Air Valve	Remote Air Valve	Standard Air Valve	Remote Air Valve						
Acetal	D11021	D21021			Acetal	Acetal	PTFE	D01021	238853	246946
	D11026	D21026			Acetal	Acetal	Santoprene	D01026	238853	246946
PVDF	D150A1	D250A1			PVDF	PVDF	PTFE	D010A1	238853	246946
	D250A6	D250A6			PVDF	PVDF	Santoprene	D010A6	238853	246946
Polypropylene	D12091	D22091			Polypropylene	Polypropylene	PTFE	D01091	238853	246946
	D12096	D22096			Polypropylene	Polypropylene	Santoprene	D01096	238853	246946

* NPT and BSP threads are interchangeable for this size

** Air control includes air regulator and filter with gauge

Performance Charts

See www.graco.com/process for performance charts.

Accessories

See page 74 for additional accessories.