

Husky 2150 Plastic Pumps

Air-Operated Double-Diaphragm

Features

- 2 in (50.8 mm) ANSI end-porting
- Larger ports for more flow — up to 150 gpm (568 lpm)
- Fluid pressure up to 120 psi (8.4 bar, 0.84 MPa)
- Patented, high-reliability closed center air valve is online serviceable
- Lube-free operation
- Epoxy-coated air section
- External controller for optional remote operation
- Stainless steel center section for corrosive applications

Typical Applications

- Drum fluid transfer
- Bulk fluid supply
- Chemical evacuation
- Ground water and sump evacuation
- Waste fluid removal
- Tank and bilge drainage
- Slurry and sludge transfer
- Filter press feed

Typical Fluids Handled

- Acids and gases: acetic, chromic, hydrochloric, Hydrofluoric, sulfuric, nitric and phosphoric
- Ship cleaning and stripping chemicals



*Husky 2150 Polypropylene
DF2XXX or DG2XXX*



*Husky 2150 Polypropylene
DV2XXX or DW2XXX*



*Husky 2150 PVDF
DF5XXX or DG5XXX*



*Husky 2150 PVDF
DV5XXX or DW5XXX*

Husky 2150

Plastic Pumps

Technical Specifications

| | |
|--------------------------------------------------------------------|-----------------------------------------------------|
| Maximum fluid working pressure | 120 psi (8.4 bar, 0.84 MPa) |
| Maximum free flow delivery* | 150 gpm (568 lpm) |
| Maximum pump speed | 145 cpm |
| Displacement per cycle** | 1.03 gallon (3.90 liter) |
| Maximum suction lift (DF2666) | 20 ft (6.1m) dry |
| Maximum size pumpable solids | 0.25 in (6.3 mm) |
| Maximum operating temperature*** | |
| PTFE | 220°F (104.4°C) |
| Santoprene | 180°F (82.2°C) |
| Buna-N | 180°F (82.2°C) |
| TPE | 150°F (65.5°C) |
| Fluoroelastomer | 250°F (121.1°C) |
| Geolast | 150°F (65.5°C) |
| Typical sound level at 70 psi air (4.9 bar, 0.49 MPa) air @ 50 cpm | 78 dBA |
| Maximum air consumption | 175 scfm (4.9 m3/min) |
| Air consumption at 70 psi/60 gpm | 60 scfm (1.7 m3/min) |
| Air pressure operating range | 20 to 120 psi (1.4 to 8.4 bar, 0.14 to 0.84 MPa) |
| Air inlet size | 1/2 npt(f) |
| Fluid inlet & outlet size | 2 in (51 mm) ANSI-flange |
| Weight | |
| Polypropylene | 49 lb (22 kg) |
| Polypropylene with stainless steel center section | 68.5 lb (31 kg) |
| PVDF | 68 lb (30.8 kg) |
| PVDF with stainless steel center section | 87.5 lb (39.6 kg) |
| Instruction manual | 308550 |

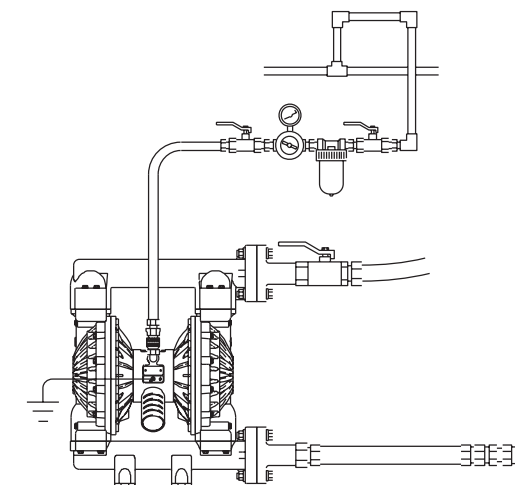
* Flow rates are with muffler and do not vary based on diaphragm material

** Displacement per cycle may vary based on suction condition, discharge head, air pressure and fluid type

*** Actual pump performance may be affected by prolonged usage at temperature

System Drawing

Husky 2150 Above Ground Gravity Feed



Husky 2150

Plastic Pumps

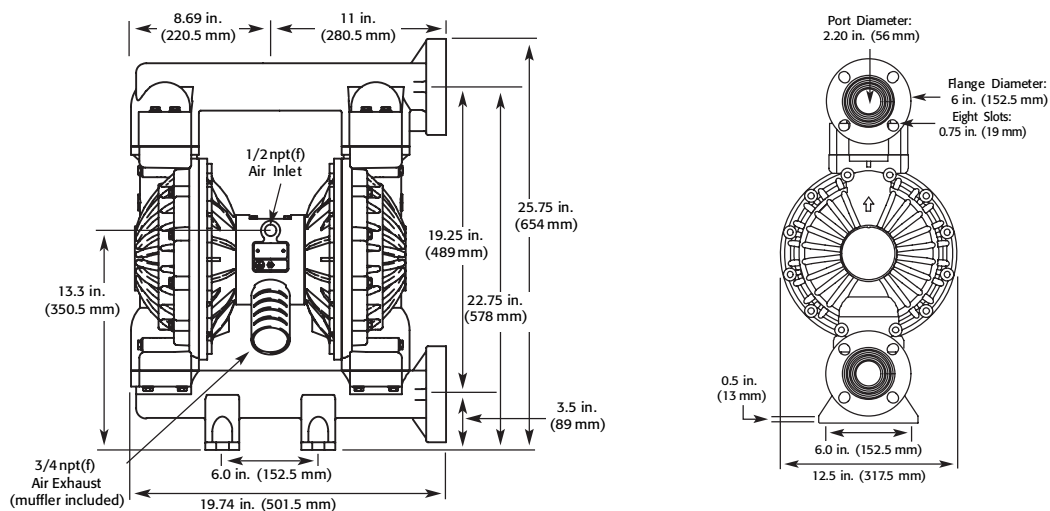
Ordering Information

The highlighted areas indicate possible configurations for the Husky 2150 plastic pumps.

| PUMP SIZE (AIR MOTOR TYPE AND MATERIAL) | WETTED PARTS | SEATS | BALLS | DIAPHRAGM |
|---------------------------------------------------------------|---------------------------|--------------------------------|---------------------|---------------------|
| 1 = 1/4" (6.35 mm) Standard: polypropylene center section | 1 = Acetal (npt) | 0 = Seat with ball | 1 = PTFE | 1 = PTFE |
| 2 = 1/4" (6.35 mm) Remote: polypropylene center section | 2 = Poly (npt) | 2 = Acetal | 2 = Acetal | 5 = TPE |
| 3 = 3/8" (9.52 mm) Standard: aluminum center section | 3 = Aluminum (npt) | 3 = Stainless Steel | 3 = Stainless Steel | 6 = Santoprene |
| 5 = 1/2" (12.7 mm) Standard: polypropylene center section | 4 = Stainless Steel (npt) | 4 = Hardened SST | 4 = Hardened SST | 7 = Buna N |
| 4 = 1/2" (12.7 mm) Remote: polypropylene center section | 5 = PVDF (npt) | 5 = TPE | 5 = TPE | 8 = Fluoroelastomer |
| 5 = 3/4" (19.05 mm) Standard: polypropylene center section | 6 = Ductile Iron (npt) | 6 = Santoprene | 6 = Santoprene | G = Geolast |
| 4 = 3/4" (19.05 mm) Remote: polypropylene center section | A = Acetal * (bsp) | 7 = Buna N | 7 = Buna N | |
| 7 = 1" (25.4 mm) Standard: aluminum center section | B = Poly * (bsp) | 8 = Fluoroelastomer | 8 = Fluoroelastomer | |
| 8 = 1" (25.4 mm) Remote: aluminum center section | C = Aluminum (bsp) | 9 = Polypropylene | 9 = Polypropylene | |
| R = 1" (25.4 mm) Standard: stainless steel center section | D = Stainless Steel (bsp) | A = PVDF | A = PVDF | |
| S = 1" (25.4 mm) Remote: stainless steel center section | E = PVDF (bsp) | G = Geolast | G = Geolast | |
| B = 1-1/2" (38.1 mm) Standard: aluminum center section | F = Ductile Iron (bsp) | B = SST with viton seal | | |
| C = 1-1/2" (38.1 mm) Remote: aluminum center section | H = 2 npt Alum Extended | C = Santoprene with viton seal | | |
| T = 1-1/2" (38.1 mm) Standard: stainless steel center section | G = 2 bsp Alum Extended | D = Urethane Duckbill | | |
| U = 1-1/2" (38.1 mm) Remote: stainless steel center section | | | | |
| F = 2" (50.8 mm) Standard: aluminum center section | | | | |
| G = 2" (50.8 mm) Remote: aluminum center section | | | | |
| V = 2" (50.8 mm) Standard: stainless steel center section | | | | |
| W = 2" (50.8 mm) Remote: stainless steel center section | | | | |
| K = 3" (76.2 mm) Standard: aluminum center section | | | | |

* = BSP plastic in 1/2" (12.7mm) pumps
 1" > Plastic pumps flange connections
 3" Aluminum pumps flange connections

Dimensions



Husky 2150

Plastic Pumps

Popular Models

| Material | Part Number (ANSI-Flange) | | Part Number (BSP Ported) | | Materials for Seats | Materials for Balls | Materials for Diaphragms | Fluid Kit | Air Kit | Air Control* |
|----------------------------------------------------------------------|------------------------------|---------------------|-----------------------------|---------------------|------------------------|------------------------|-----------------------------|--------------|---------|-----------------|
| | Standard Air Valve | Remote Air Valve | Standard Air Valve | Remote Air Valve | | | | | | |
| Standard Pumps with Aluminum Center Section | | | | | | | | | | |
| Polypropylene | DF2311 | | | | Stainless Steel | PTFE | PTFE | D0G311 | 236273 | 246947 |
| | DF2377 | DC2377 | | | Stainless Steel | Buna | Buna | D0G377 | 236273 | 246947 |
| | DF2777 | DC2777 | | | Buna | Buna | Buna | D0G777 | 236273 | 246947 |
| | DF2888 | DC2888 | | | Fluoroelastomer | Fluoroelastomer | Fluoroelastomer | D0G888 | 236273 | 246947 |
| | DF2911 | DC2911 | | | Polypropylene | PTFE | PTFE | D0G911 | 236273 | 246947 |
| | DF2955 | | | | Polypropylene | TPE | TPE | D0G955 | 236273 | 246947 |
| | DF2966 | | | | Polypropylene | Santoprene | Santoprene | D0G966 | 236273 | 246947 |
| | DF2977 | | | | Polypropylene | Buna | Buna | D0G977 | 236273 | 246947 |
| | DF2988 | | | | Polypropylene | Fluoroelastomer | Fluoroelastomer | D0G988 | 236273 | 246947 |
| | DF29GG | DC29GG | | | Polypropylene | Geolast | Geolast | D0G9GG | 236273 | 246947 |
| PVDF | DF5311 | | | | Stainless Steel | PTFE | PTFE | D0G311 | 236273 | 246947 |
| | DF5666 | | | | Santoprene | Santoprene | Santoprene | D0G666 | 236273 | 246947 |
| | DF5811 | DG5811 | | | Fluoroelastomer | PTFE | PTFE | D0G811 | 236273 | 246947 |
| | DF5888 | DG5888 | | | Fluoroelastomer | Fluoroelastomer | Fluoroelastomer | D0G888 | 236273 | 246947 |
| | DF5A11 | DG5A11 | | | PVDF | PTFE | PTFE | D0GA11 | 236273 | 246947 |
| | DF5A88 | | | | PVDF | Fluoroelastomer | Fluoroelastomer | D0GA88 | 236273 | 246947 |
| Corrosion Resistant Pumps with Stainless Steel Center Section | | | | | | | | | | |
| Polypropylene | DV2311 | DW2311 | | | Stainless Steel | PTFE | PTFE | D0G311 | 236273 | 246947 |
| | DV2341 | DW2331 | | | Hardened SST | Stainless Steel | PTFE | D0G331 | 236273 | 246947 |
| | DV2377 | DW2377 | | | Stainless Steel | Buna | Buna | D0G377 | 236273 | 246947 |
| | DV2888 | DW2888 | | | Fluoroelastomer | Fluoroelastomer | Fluoroelastomer | D0G888 | 236273 | 246947 |
| | DV2911 | DW2911 | | | Polypropylene | PTFE | PTFE | D0G911 | 236273 | 246947 |
| | DV2977 | DW2977 | | | Polypropylene | Buna | Buna | D0G977 | 236273 | 246947 |
| | DV2988 | DW2988 | | | Polypropylene | Fluoroelastomer | Fluoroelastomer | D0G988 | 236273 | 246947 |
| | DV2A11 | DW2A11 | | | PVDF | PTFE | PTFE | D0GA11 | 236273 | 246947 |
| | DV2A88 | DW2A88 | | | PVDF | Fluoroelastomer | Fluoroelastomer | D0GA88 | 236273 | 246947 |
| PVDF | DV5311 | DW5311 | | | Stainless Steel | PTFE | PTFE | D0G311 | 236273 | 246947 |
| | DV5811 | DW5811 | | | Fluoroelastomer | PTFE | PTFE | D0G811 | 236273 | 246947 |
| | DV5888 | DW5888 | | | Fluoroelastomer | Fluoroelastomer | Fluoroelastomer | D0G888 | 236273 | 246947 |
| | DV5A11 | DW5A11 | | | PVDF | PTFE | PTFE | D0GA11 | 236273 | 246947 |
| | DV5A88 | DW5A88 | | | PVDF | Fluoroelastomer | Fluoroelastomer | D0GA88 | 236273 | 246947 |

* Air control includes air regulator and filter with gauge

Performance Charts

See www.graco.com/process for performance charts.

Accessories

See page 76 for additional accessories.