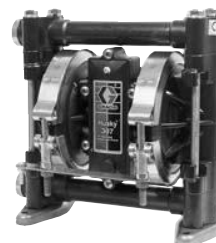


Husky 307 Plastic Pumps

Air-Operated Double-Diaphragm

Features

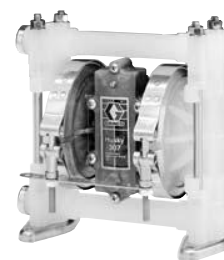
- 3/8 in (9.52 mm) end-porting
- Fully-groundable acetal model
- Delivery up to 7 gpm (26.5 lpm)
- Operates on as little as 20 psi (1.4 bar, 0.14 MPa) air pressure
- Quiet operation — 75 dBA at 50 psi (3.5 bar, 0.35 MPa) and 60 cpm



*Husky 307 Groundable
Acetal D31XXX*

Typical Applications

- Drum transfer for fluids up to 1000 centipoise
- Circulation of low viscosity inks, stains and dyes
- Coolant circulation and evacuation
- Waste fluid removal
- On-demand batch chemical metering
- Low viscosity adhesive supply
- Consistent low pressure air spray or HVLP supply



*Husky 307 Polypropylene
D32XXX*

Typical Fluids Handled

- Paints
- Lubricants
- Inks
- Stains
- Solvents
- Coatings
- Dyes

Husky 307

Plastic Pumps

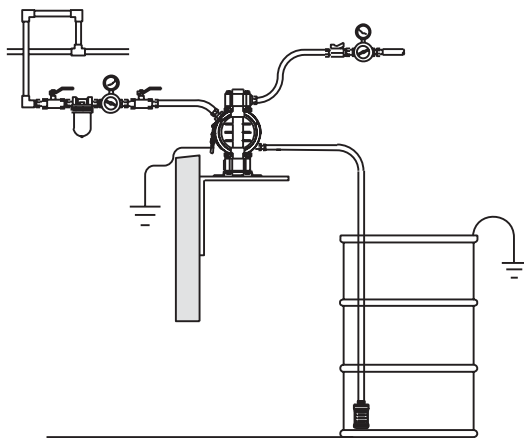
Technical Specifications

Maximum fluid working pressure.....	100 psi (7 bar, 0.7 MPa)
Maximum free flow delivery*.....	7.0 gpm (26.5 lpm)
Maximum pump speed.....	330 cpm
Displacement per cycle**.....	0.02 gallon (0.076 liter)
Maximum suction lift (D31255).....	12 ft (3.7 m) dry
Maximum size pumpable solids.....	0.06 in (1.5 mm)
Maximum operating temperature***	
PTFE.....	220°F (104.4°C)
Santoprene.....	180°F (82.2°C)
Buna-N.....	180°F (82.2°C)
TPE.....	150°F (65.5°C)
Typical sound level	
at 50 psi (3.5 bar, 0.35 MPa) air @ 50 cpm.....	75 dBA
Maximum air consumption.....	6 scfm (0.17 m ³ /min)
Air pressure operating range.....	20 to 100 psi (1.4 to 8.4 bar, 0.14 to 0.84 MPa)
Air inlet size.....	1/4 npt(f) or bspt(f)
Fluid inlet & outlet size.....	3/8 npt(f)
Weight	
Acetal.....	5.2 lb (2.4 kg)
Polypropylene.....	4.75 lb (2.2 kg)
Wetted parts (in addition to ball, seat and diaphragm materials—which may vary by pump)	
Acetal pump.....	Acetal with Stainless Steel fibers, PTFE
Polypropylene pump.....	Polypropylene, PTFE
Instruction manual.....	308553

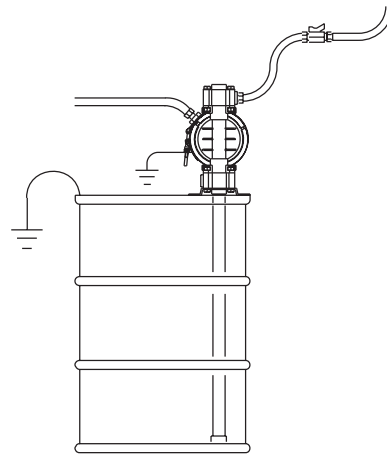
* Flow rates are with muffler and do not vary based on diaphragm material
 ** Displacement per cycle may vary based on suction condition, discharge head, air pressure and fluid type
 *** Actual pump performance may be affected by prolonged usage at temperature

System Drawings

Husky 307 Wall-Mount with Siphon Feed



Husky 307 Drum-Mount with Siphon Feed



Husky 307

Plastic Pumps

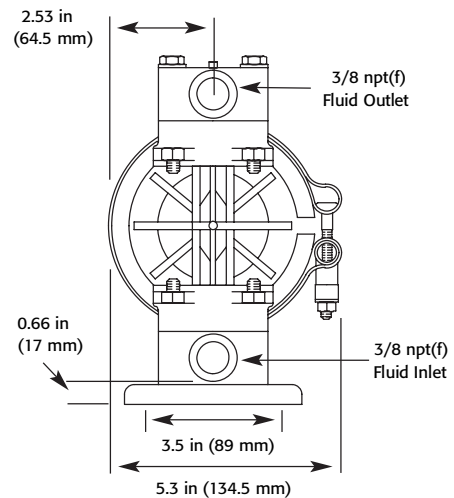
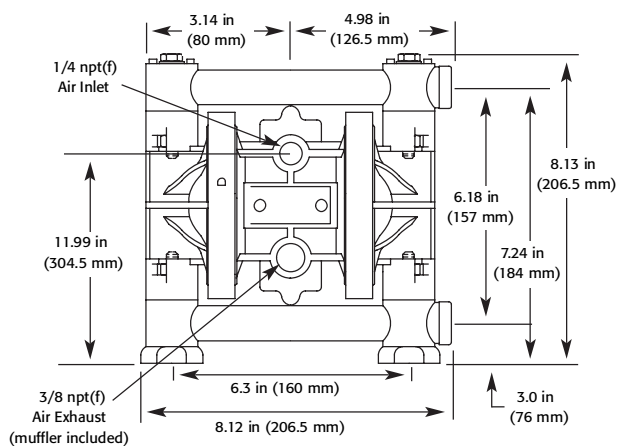
Ordering Information

The highlighted areas indicate possible configurations for the Husky 307 plastic pump.

PUMP SIZE (AIR MOTOR TYPE AND MATERIAL)	WETTED PARTS	SEATS	BALLS	DIAPHRAGM
1 = 1/4" (6.35 mm) Standard: polypropylene center section	1 = Acetal (npt)	2 = Acetal	1 = PTFE	1 = PTFE
2 = 1/4" (6.35 mm) Remote: polypropylene center section	2 = Poly (npt)	3 = Stainless Steel	2 = Acetal	5 = TPE
3 = 3/8" (9.52 mm) Standard: aluminum center section	3 = Aluminum (npt)	4 = Hardened SST	3 = Stainless Steel	6 = Santoprene
5 = 1/2" (12.7 mm) Standard: polypropylene center section	4 = Stainless Steel (npt)	5 = TPE	4 = Hardened SST	7 = Buna N
4 = 1/2" (12.7 mm) Remote: polypropylene center section	5 = PVDF (npt)	6 = Santoprene	5 = TPE	8 = Fluoroelastomer
5 = 3/4" (19.05 mm) Standard: polypropylene center section	6 = Ductile Iron (npt)	7 = Buna N	6 = Santoprene	G = Geolast
4 = 3/4" (19.05 mm) Remote: polypropylene center section		8 = Fluoroelastomer	7 = Buna N	
7 = 1" (25.4 mm) Standard: aluminum center section	A = Acetal * (bsp)	9 = Polypropylene	8 = Fluoroelastomer	
8 = 1" (25.4 mm) Remote: aluminum center section	B = Poly * (bsp)	A = PVDF	9 = Polypropylene	
R = 1" (25.4 mm) Standard: stainless steel center section	C = Aluminum (bsp)	G = Geolast	A = PVDF	
S = 1" (25.4 mm) Remote: stainless steel center section	D = Stainless Steel (bsp)		G = Geolast	
B = 1-1/2" (38.1 mm) Standard: aluminum center section	E = PVDF (bsp)	B = SST with viton seal		
C = 1-1/2" (38.1 mm) Remote: aluminum center section	F = Ductile Iron (bsp)	C = Santoprene with viton seal		
T = 1-1/2" (38.1 mm) Standard: stainless steel center section				
U = 1-1/2" (38.1 mm) Remote: stainless steel center section	H = 2 npt Alum Extended			
F = 2" (50.8 mm) Standard: aluminum center section	G = 2 bsp Alum Extended			
G = 2" (50.8 mm) Remote: aluminum center section				
V = 2" (50.8 mm) Standard: stainless steel center section				
W = 2" (50.8 mm) Remote: stainless steel center section				
K = 3" (76.2 mm) Standard: aluminum center section				

* = BSP plastic in 1/2" (12.7mm) pumps
 1" > Plastic pumps flange connections
 3" Aluminum pumps flange connections

Dimensions



Husky 307

Plastic Pumps

Popular Models

Material	Part Number (NPT Ported)		Part Number (BSP Ported)		Materials for Seats	Materials for Balls	Materials for Diaphragms	Fluid Kit	Air Kit	Air Control*
	Standard Air Valve	Remote Air Valve	Standard Air Valve	Remote Air Valve						
Acetal	D31211	NA	D3A211	NA	Acetal	PTFE	PTFE	D03211	239952	246946
	D31255	NA	D3A255	NA	Acetal	TPE	TPE	D03255	239952	246946
	D31277	NA	D3A277	NA	Acetal	Buna	Buna	D03277	239952	246946
	D31311	NA	D3A311	NA	Stainless Steel	PTFE	PTFE	D03311	239952	246946
Polypropylene	D32211	NA	D3B211	NA	Acetal	PTFE	PTFE	D03211	239952	246946
	D32255	NA	D3B255	NA	Acetal	TPE	TPE	D03255	239952	246946
	D32277	NA	D3B277	NA	Acetal	Buna	Buna	D03277	239952	246946
	D32311	NA	D3B311	NA	Stainless Steel	PTFE	PTFE	D03311	239952	246946
	D32366	NA	D3B366	NA	Stainless Steel	Santoprene	Santoprene	D03366	239952	246946
	D32911	NA	D3B911	NA	Polypropylene	PTFE	PTFE	D03911	239952	246946
	D32955	NA	D3B955	NA	Polypropylene	TPE	TPE	D03955	239952	246946
	D32966	NA	D3B966	NA	Polypropylene	Santoprene	Santoprene	D03966	239952	246946
	D32977	NA	D3B977	NA	Polypropylene	Buna	Buna	D03977	239952	246946

* Air control includes air regulator and filter with gauge

Performance Charts

See www.graco.com/process for performance charts.

Accessories

See page 74 for additional accessories.