



Contents	Pressure Pots	Agitators	Air Prep & Controls	Pressure Regulators
	Surge Suppressors	Filters	Hoses, Fittings, Swivels & Gauges	Other

Agitators



Mixing is step one!

If the material is not properly mixed, it will never reach optimal performance conditions despite the highest quality pumping, proportioning, and spray guns.

Graco offers a complete line of high quality mixing solutions for many different materials and containers. Our [Agitator Speed Controller](#) ensures that your mixing process can be controlled to eliminate paint shear, foaming, and unnecessary compressed air consumption.

Our mixing equipment will make sure you are set up for success starting with step one.




[Contents](#)
[Pressure Pots](#)
[Agitators](#)
[Air Prep & Controls](#)
[Pressure Regulators](#)
[Surge Suppressors](#)
[Filters](#)
[Hoses, Fittings,
Swivels & Gauges](#)
[Other](#)

Agitators

Drum and Mix Tank

Drum Agitators

- Agitators mount directly to mix tank or drum covers
- Dual propeller ensures efficient and thorough mixing
- Easy adjustment knob for fine tuning agitator speed to ideal mixing parameters



Ordering Information

Part No.	Description	Drive	HP	Length cm (in)	Material	Manual
206758	Dual round prop; mounts on cover	Air	1/2	79.3 (31.25)	CS	306840
207199	Includes 206758 and 55 gallon (210 liter) cover 2 in NPSM bung	Air	1/2	79.3 (31.25)	CS (SST cover)	306938
207953	Dual round prop (3 blade each)	Air	3/4	73.6 (29)	CS	306840
222698*	Includes single round prop	Air	1/2	79.3 (31.25)	SST	306840
206760	Dual round prop	Air	1.5	84.4 (33.25)	CS, Aluminum	306840

* Waterborne compatible

Part Number	Description
190192	Agitator cover gasket


[Contents](#)
[Pressure Pots](#)
[Agitators](#)
[Air Prep & Controls](#)
[Pressure Regulators](#)
[Surge Suppressors](#)
[Filters](#)
[Hoses, Fittings, Swivels & Gauges](#)
[Other](#)

Agitators

Clamp Mounted Agitators

Drum Agitators

- Clamp mounts agitator directly to drum
- Adjustable shaft angle to reduce mixing vortex and air entrapment
- Dual propeller ensures efficient and thorough mixing
- Easy adjustment knob for fine tuning agitator speed to ideal mixing parameters



225831



(except 225883)

Ordering Information

Part No.	Description	Drive	HP	Length cm (in)	Material	Manual
225883	Includes dual round prop; open drum	Air	2-1/2	105.4 (41.5)	CS, Iron, Aluminum	306426
225831	Includes dual round prop; open drum	Air	1	105.4 (41.5)	CS, Aluminum, Ductile Iron, Bronze	306358


[Contents](#)
[Pressure Pots](#)
[Agitators](#)
[Air Prep & Controls](#)
[Pressure Regulators](#)
[Surge Suppressors](#)
[Filters](#)
[Hoses, Fittings, Swivels & Gauges](#)
[Other](#)

Agitators

Expanding Blade Agitators

Drum Agitators

- Corrosion resistant materials
- Threads into 1.5" or 2" drum bung
- Includes angled adapter reduces vortexing and allows for off center mounting
- Customize configuration by adjusting blade height or by adding additional blade assemblies
- Collapsible blades fit through drum bung and expand when spinning for efficient mixing



24C728



Ordering Information

Part No.	Description	Drive	HP	Max. Air Input bar (psi)	Max. Speed Recommended	Wetted Parts
24C728	Low Viscosity air driven expanding blade bung-mounted agitator	Air	1	7 (100)	500 rpm	303, 18-8 and 304 SST
24C729	High Viscosity air driven expanding blade bung-mounted agitator	Air	1.75	7 (100)	500 rpm	303, 18-8 and 304 SST

Instruction manual: [313643](#)


[Contents](#)
[Pressure Pots](#)
[Agitators](#)
[Air Prep & Controls](#)
[Pressure Regulators](#)
[Surge Suppressors](#)
[Filters](#)
[Hoses, Fittings,
Swivels & Gauges](#)
[Other](#)

Agitators

Twistork™ Agitators

Drum Agitators

- Helix blade effectively mixes higher viscosity materials
- Mounts directly to 2 inch drum bung
- Stainless and carbon steel material options
- Siphon model allows material transfer through agitator shaft
- Sealed agitator drive prevents material contamination and evaporation
- ATEX approval for hazardous locations



236629



Ordering Information

Part No.	Description	Drive	HP	Length cm (in)	Material	Manual
• 224854	Twistork, non-siphon	Air	1-1/2	95 (37.25)	CS	308175
• 235534	Twistork, non-siphon	Air	1-1/2	95 (37.25)	304 SST	308175
• 236629*	Twistork, standard siphon model	Air	3/4	121 (7.5*)	304 SST	308345

*Adjustable depth models for drums 80 cm to 90.1 cm (31-1/2 in to 35-1/2 in) deep.
Siphon tube designed to rest on drum bottom.

- Waterborne compatible



Contents

Pressure Pots

Agitators

Air Prep & Controls

Pressure Regulators

Surge Suppressors

Filters

Hoses, Fittings,
Swivels & Gauges

Other

Agitators

Heavy Duty In-Drum Back-Geared Agitator



Drum Agitators

- Corrosion resistant materials for high quality and long life
- Leak-free gearbox eliminates material contamination common with oil filled units
- Installs easily onto in-drum agitators
- Mounts directly to drum bung, choose 1.5 in or 2 in
- Includes 3/8 in, 7/16 in, 1/2 in, 5/8 in shaft adapters, compatible with several styles
- ATEX approval for hazardous locations



24C293

Ordering Information

Part No.	Description	Gear Reducer Ratio	Max. Air Input bar (psi)	Max. Speed Recommended	Wetted Parts
24C293	1.5 inch Bung Model Includes heavy duty agitator drive, plus 2 adapters for 4 different shaft sizes (3/8, 7/16, 1/2 and 5/8 inch)	24:1	7 (100)	100 rpm	303 SST
24C522	2 inch Bung Model Includes heavy duty agitator drive, plus 2 adapters for 4 different shaft sizes (3/8, 7/16, 1/2 and 5/8 inch)	24:1	7 (100)	100 rpm	303 SST
16A521	1.5 inch bung adapter				
16A754	2 inch bung adapter				
16H554	3/8 inch and 7/16 inch shaft adapter				
16H555	1/2 inch and 5/8 inch shaft adapter				

* Waterborne compatible

Instruction manual: [308609](#)


[Contents](#)
[Pressure Pots](#)
[Agitators](#)
[Air Prep & Controls](#)
[Pressure Regulators](#)
[Surge Suppressors](#)
[Filters](#)
[Hoses, Fittings,
Swivels & Gauges](#)
[Other](#)

Agitators

Heavy Duty Drum Agitator

Drum Agitators

- Heavy duty gearbox mixes high viscosity materials
- Leak-free and oil-less gearbox prevents material contamination
- Stainless steel agitator and cover for corrosion resistance and waterborne compatibility
- Twin paddles thoroughly mix finishing materials
- Siphon option allows material transfer through agitator shaft
- Access port for easy sampling and inspection of material during operation



Ordering Information

Part No.	Description	Drive	HP	Length cm (in)	Material	Manual
• 231414	Heavy-duty back-gearred agitator with elevator, drum cover and siphon kit	Air	1/2	81.25 (32)	SST	308609
• 231413	Same as 231414, except without siphon capability	Air	1/2	81.25 (32)	SST	308609
• 238157	Heavy-duty back-gearred agitator	Air	1/2	81.25 (32)	SST	308609
• 240209	Same as 238157 with siphon kit	Air	1/2	81.25 (32)	SST	308609
• 238250	Siphon tube kit; fits 238157 agitator			109 (43)	SST	308609

- Waterborne compatible


[Contents](#)
[Pressure Pots](#)
[Agitators](#)
[Air Prep & Controls](#)
[Pressure Regulators](#)
[Surge Suppressors](#)
[Filters](#)
[Hoses, Fittings,
Swivels & Gauges](#)
[Other](#)

Agitators

Agitator Speed Controller

Drum Agitators

- Provides closed-loop speed control for agitators
- Maintains constant set speed even as viscosity or drum levels change
- Installs within minutes
- Prevents over-agitation of shear sensitive materials and foaming of waterborne materials
- Extends agitator lifetime by eliminating agitator over speeding
- Lowers energy costs by reducing air consumption



24G621

Ordering Information

Part No.	Description
24G621	Agitator Speed Controller

Compatible Graco Agitators

24C821, 24C524, 24C520, 240209,
231414, 222698, 207199, 204995,
24C729, 24C523, 24C519, 238157,
231413, 210068, 206760, 204482,
24C728, 24C522, 24C293, 236629,
225831, 210067, 206758, 203711

Compatible Graco Air Motors

101140, 16A871, 101388, 111310

Instruction manual: [3A1315](#)



Contents

Pressure Pots

Agitators

Air Prep & Controls

Pressure Regulators

Surge Suppressors

Filters

Hoses, Fittings,
Swivels & Gauges

Other

Agitators

Replacement Air Motors

Drum Agitators

- Replacement air motors will give new life your existing agitators
- Use the chart below to determine compatibility
- Easy to select and install



101140

Ordering Information

Air Motor Part No.	Compatible Agitator Part No.
101140	203711, 204482, 204995, 206219, 206758, 207953, 210067, 210068, 222698, 236097, 236629, 238157, 238859, 238860, 240209, 962947, 24C293, 24C522
162425	236146, 236147, 236148, 236152, 236153, 236154, 236661, 236662, 236663
111310	224854, 235534, 24C729
101687	224571, 224572
101388	206706, 225831


[Contents](#)
[Pressure Pots](#)
[Agitators](#)
[Air Prep & Controls](#)
[Pressure Regulators](#)
[Surge Suppressors](#)
[Filters](#)
[Hoses, Fittings,
Swivels & Gauges](#)
[Other](#)

Agitators

Pail Cover Agitator

Pail Agitators

- Lift handles for easy moving and colour changes
- Locking bolts to secure cover and reduce spills
- Ideal for wall mount pumps or spray packages



Ordering Information

Part No.	Description	Drive	HP	Length cm (in)	Material	Manual	Notes
• 222695	Round prop	Air	1/4	33.6 (13.25)	SST	307968	224571 Agitator and hose
• 204536	Round prop (3 blade)	Air	1/4	33.6 (13.25)	SST	306565	224571 Agitator and metal tube
• 226086	Pail cover, round prop	Air	1/4	33.6 (13.25)	CS	306670	224571 Agitator and CS pail cover
• 243340	SST pail cover with SST agitator	Air	1/4	33.6 (13.25)	SST	306565	224571 Agitator and SST pail cover
• 245081	SST pail agitator kit for TRITON pkgs	Air	1/2	33.6 (13.25)	SST	309305	
• 245895	CS pail cover with SST agitator	Air	1/4	33.6 (13.25)	CS	306565	
• 224572	Single round prop (3 blade)	Air	1/4	43.8 (17.25)	SST	306565	

- Waterborne compatible



Contents

Pressure Pots

Agitators

Air Prep & Controls

Pressure Regulators

Surge Suppressors

Filters

Hoses, Fittings,
Swivels & Gauges

Other

Agitators

Heavy Duty Pressure Tank Agitators

Agitator Kits

- 20:1 gear reduction to mix high viscosity materials, even at low speeds
- Sealed agitator shaft to prevent air leakage and contamination
- Built-in baffle and support for efficient mixing
- Compatible with Graco pressure tanks



236661



Ordering Information

Part No.	Description	Drive	HP	Length cm (in)	Material	Manual
• 236661	19 liter (5 Gallon), gear reduced	Air	1/2	38 (15)	304/316 SST	308371
• 236662	38 liter (10 Gallon), gear reduced	Air	1/2	53 (20.75)	304/316 SST	308371
• 236663	57 liter (15 Gallon), gear reduced	Air	1/2	79 (31)	304/316 SST	308371

- Waterborne compatible

Only use on Graco's 5,10 and 15 gal ASME pressure tanks



Contents	Pressure Pots	Agitators	Air Prep & Controls	Pressure Regulators
Surge Suppressors	Filters	Hoses, Fittings, Swivels & Gauges	Other	

Electric Agitators

Electric Agitators

- Low shear mixing ensures uniform particle dispersion without material degradation
- Compatible with waterborne and solventborne materials
- Sealed gearbox eliminates maintenance
- Lubrication-free shaft seal prevents solvent attack of agitator bearings and gearbox
- Efficient motor provides superior mixing performance with less energy consumption
- Designed specifically to meet the demanding needs of the industrial finishing market
- Inverted duty motor for variable speed adjustment via variable frequency drive (VFD)

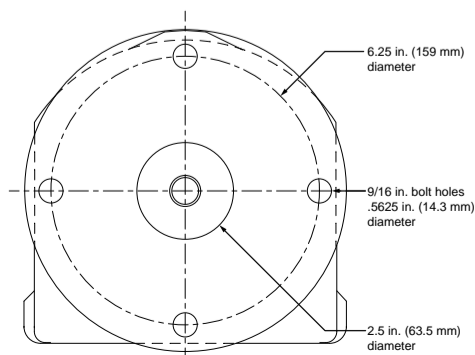


Manual number [310500](#)

Mounting Specifications

LSA 200 System		LSA 220 System		LSA 300 System	
Electric-Powered Motor	3 phase, Class 1 Group D Explosion-proof	Electric-Powered Motor	3 phase, Class 1 Group D Explosion-proof	Electric-Powered Motor	3 phase, Class 1 Group D Explosion-proof
Gear Reduction	5:1	Gear Reduction	6:3:1	Gear Reduction	6:3:1
Power	0.25 HP	Power	0.25 HP	Power	0.25 HP
Speed	1750 rpm	Speed	1750 rpm	Speed	900 rpm
Output	350 rpm	Output	280 rpm	Output	140 rpm
Electrical	230/460 volt	Electrical	230/460 volt	Electrical	230/460 volt
Electrical consumption at 460 volt	0.58 amps	Electrical consumption at 460 volt	0.58 amps	Electrical consumption at 460 volt	0.58 amps
Construction: Shaft and impeller	316 SST	Construction: Shaft and impeller	316 SST	Construction: Shaft and impeller	316 SST
Mounting plate	electroless nickel plating	Mounting plate	electroless nickel plating	Mounting plate	electroless nickel plating
Shaft Diameter	16 mm	Shaft Diameter	16 mm	Shaft Diameter	20 mm

Bolt Pattern



Electric Agitators section continues on next 3 pages



Contents	Pressure Pots	Agitators	Air Prep & Controls	Pressure Regulators
Surge Suppressors	Filters	Hoses, Fittings, Swivels & Gauges	Other	

Electric Agitators

Order your Electric Agitator in 3 Easy Steps!



Sizing Guide

Use volume and viscosity to determine model and blade diameter.

LSA 200

Tank Volume	Fluid Viscosity (cps)	Recommended Blade Diameter
300-400 l (80-120 Gal)	<100	193 mm (7.6 in)
	100 - 200	224 mm (8.8 in)
	200 - 350	254 mm (10.0 in)
450-600 l (120-160 Gal)	<100	224 mm (8.8 in)
	100 - 200	254 mm (10.0 in)
600-750 l (160-200 Gal)	<100	254 mm (10.0 in)

LSA 220

Tank Volume	Fluid Viscosity (cps)	Recommended Blade Diameter
490-600 l (130-160 Gal)	<100	254 mm (10.0 in)
	100 - 200	284 mm (11.2 in)
	200 - 350	299 mm (11.8 in)
600-750 l (160-200 Gal)	<100	284 mm (11.2 in)
	100 - 200	299 mm (11.8 in)
750-1100 l (200-300 Gal)	<100	325 mm (12.8 in)

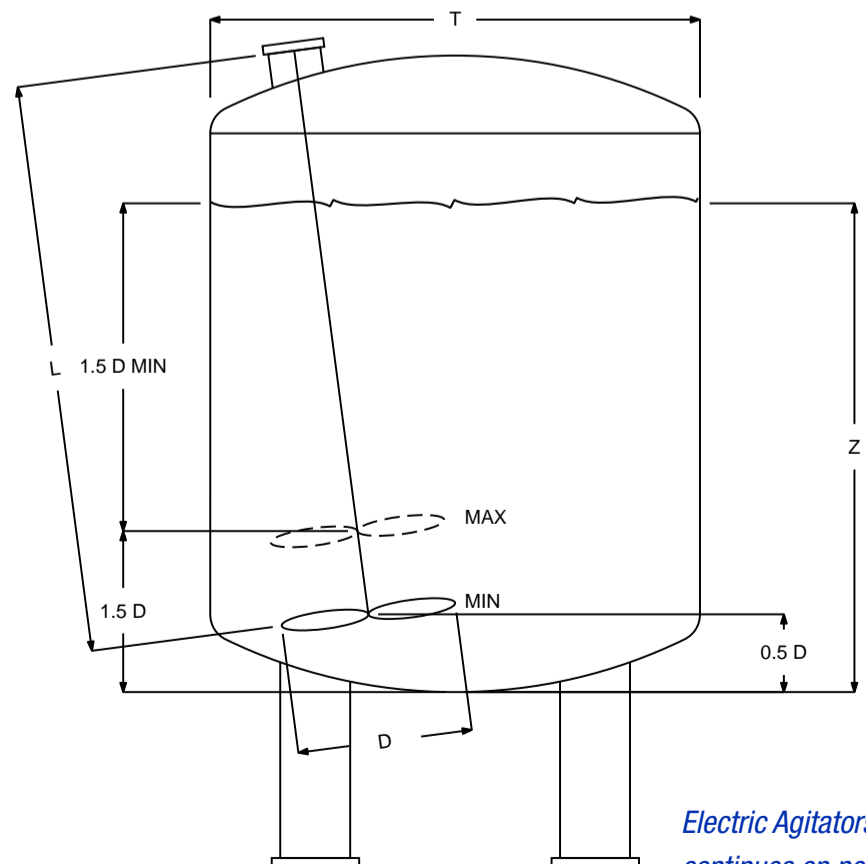
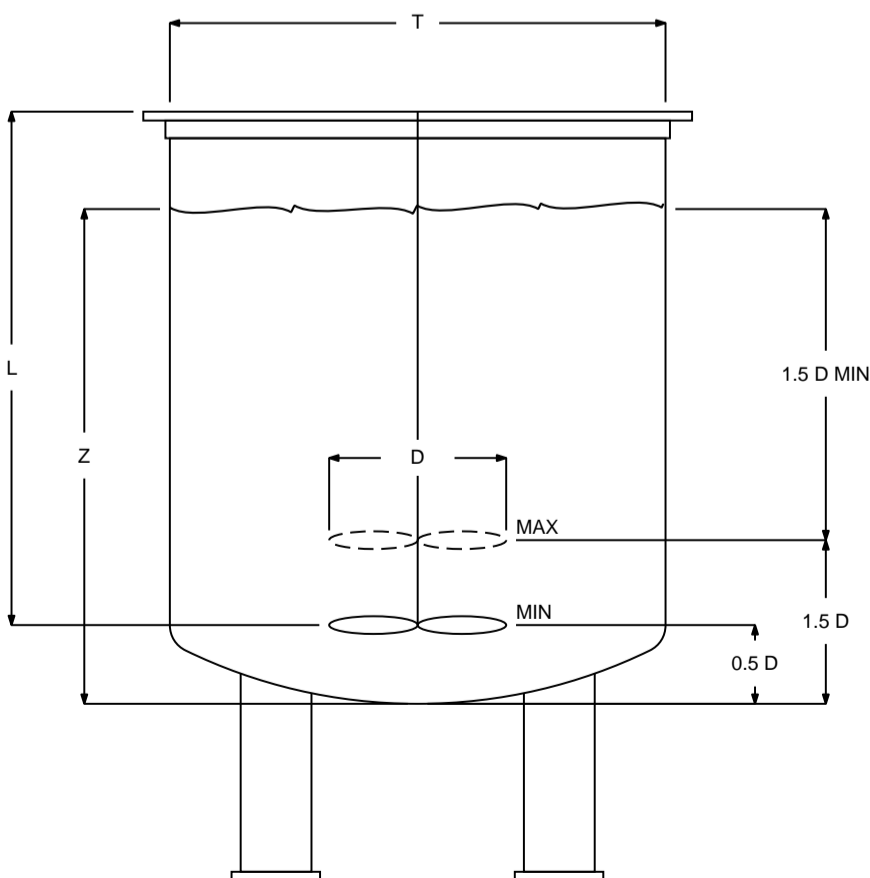
LSA 300

Tank Volume	Fluid Viscosity (cps)	Recommended Blade Diameter
750 - 1100 l (200 - 300 Gal)	<100	396 mm (15.6 in)
	100 - 200	432 mm (17.0 in)
	200 - 350	457 mm (18.0 in)
1100 - 1500 l (300 - 400 Gal)	<100	457 mm (18.0 in)
	100 - 200	483 mm (19.0 in)
1500 - 1900 l (400 - 500 Gal)	<100	483 mm (19.0 in)



Tank Dimensions

Use tank dimension diagrams and blade diameter to determine shaft length. If Z/T exceeds 1.2, consider using dual impellers.



Electric Agitators section continues on next 2 pages



Contents	Pressure Pots	Agitators	Air Prep & Controls	Pressure Regulators
Surge Suppressors	Filters	Hoses, Fittings, Swivels & Gauges	Other	

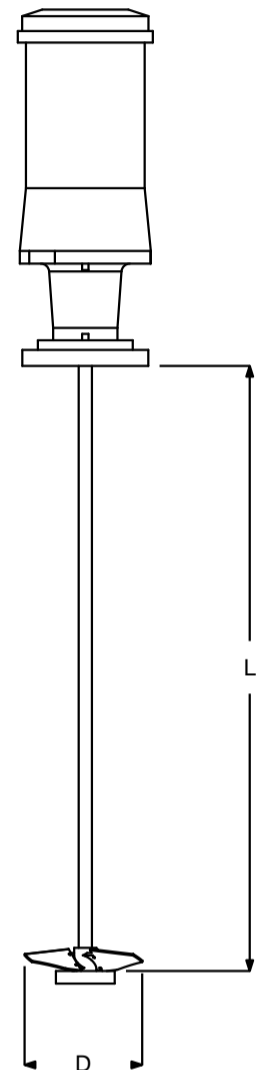
Electric Agitators



Ordering Information

Select your part number based on your model, blade diameter and shaft length.

Assembly Number	Agitator Model	Motor P/N	Shaft Length "L"		Shaft P/N	Blade Dia "D"		Blade P/N
			in	mm		in	mm	
922000	200E	516556	29	737	516910	7.6	193	515770
922005	200E	516556	30	762	516911	7.6	193	515770
922203	200E	516556	31	787	516912	7.6	193	515770
922016	200E	516556	32	813	516913	7.6	193	515770
922022	200E	516556	33	838	516914	7.6	193	515770
922025	200E	516556	34	864	516915	7.6	193	515770
922028	200E	516556	35	889	516916	7.6	193	515770
922032	200E	516556	36	914	516917	7.6	193	515770
922198	200E	516556	29	737	516910	8.8	224	515771
922006	200E	516556	30	762	516911	8.8	224	515771
922010	200E	516556	31	787	516912	8.8	224	515771
922205	200E	516556	32	813	516913	8.8	224	515771
962686	200E	516556	33	838	516914	8.8	224	515771
922208	200E	516556	34	864	516915	8.8	224	515771
922029	200E	516556	35	889	516916	8.8	224	515771
922033	200E	516556	36	914	516917	8.8	224	515771
922001	200E	516556	29	737	516910	10	254	515772
922036	220E	516556	29	737	516910	10	254	515772
922200	200E	516556	30	762	516911	10	254	515772
962553	220E	516556	30	762	516911	10	254	515772
922011	200E	516556	31	787	516912	10	254	515772
922047	220E	516556	31	787	516912	10	254	515772
922017	200E	516556	32	813	516913	10	254	515772
922231	220E	516556	32	813	516913	10	254	515772
922023	200E	516556	33	838	516914	10	254	515772
922059	220E	516556	33	838	516914	10	254	515772
922209	200E	516556	34	864	516915	10	254	515772
962764	220E	516556	34	864	516915	10	254	515772
922210	200E	516556	35	889	516916	10	254	515772
962841	220E	516556	35	889	516916	10	254	515772
922253	220E	516556	36	914	516917	10	254	515772
922002	200E	516556	29	737	516910	11.2	284	515773
922037	220E	516556	29	737	516910	11.2	284	515773
922007	200E	516556	30	762	516911	11.2	284	515773
922043	220E	516556	30	762	516911	11.2	284	515773
922012	200E	516556	31	787	516912	11.2	284	515773
922048	220E	516556	31	787	516912	11.2	284	515773
922206	200E	516556	32	813	516913	11.2	284	515773
962674	220E	516556	33	838	516914	11.2	284	515773
922243	220E	516556	34	864	516915	11.2	284	515773
922249	220E	516556	35	889	516916	11.2	284	515773
962642	220E	516556	36	914	516917	11.2	284	515773
922213	220E	516556	29	737	516910	11.8	300	515774
922219	220E	516556	30	762	516911	11.8	300	515774
922225	220E	516556	31	787	516912	11.8	300	515774
922232	220E	516556	32	813	516913	11.8	300	515774
922238	220E	516556	33	838	516914	11.8	300	515774
922244	220E	516556	34	864	516915	11.8	300	515774
922250	220E	516556	35	889	516916	11.8	300	515774
922254	220E	516556	36	914	516917	11.8	300	515774
922214	220E	516556	29	737	516910	12.8	325	515775
922220	220E	516556	30	762	516911	12.8	325	515775
922226	220E	516556	31	787	516912	12.8	325	515775
922233	220E	516556	32	813	516913	12.8	325	515775
922239	220E	516556	33	838	516914	12.8	325	515775
922245	220E	516556	34	864	516915	12.8	325	515775
922215	220E	516556	29	737	516910	13.6	345	515776
922221	220E	516556	30	762	516911	13.6	345	515776
922227	220E	516556	31	787	516912	13.6	345	515776
922234	220E	516556	32	813	516913	13.6	345	515776
922080	300E	516228	34	864	516915	15.1	384	51A018
922085	300E	516228	34	864	516915	15.1	384	51A018
922090	300E	516228	35	889	516916	15.1	384	51A018



Electric Agitators section continues on next page



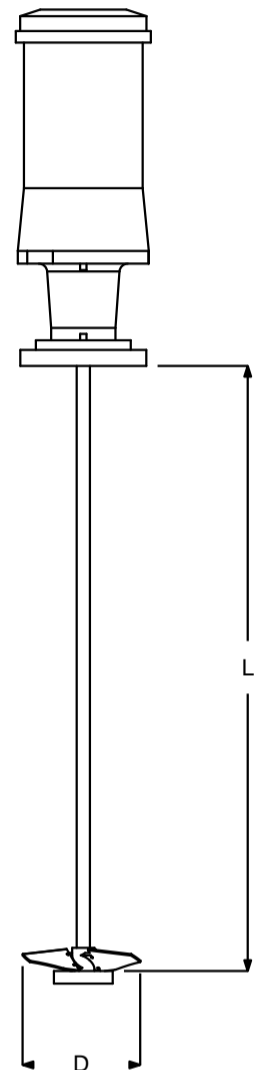
Contents	Pressure Pots	Agitators	Air Prep & Controls	Pressure Regulators
Surge Suppressors	Filters	Hoses, Fittings, Swivels & Gauges	Other	

Electric Agitators

Ordering Information (continued)

Select your part number based on your model, blade diameter and shaft length.

Assembly Number	Agitator Model	Motor P/N	Shaft Length "L"		Shaft P/N	Blade Dia "D"		Blade P/N
			in	mm		in	mm	
962742	300E	516228	36	914	516920	15.1	384	51A018
922107	300E	516228	37	940	516921	15.1	384	51A018
922116	300E	516228	38	965	516922	15.1	384	51A018
922126	300E	516228	39	991	516923	15.1	384	51A018
922135	300E	516228	40	1016	516924	15.1	384	51A018
922145	300E	516228	41	1041	516925	15.1	384	51A018
96A272	300E	516228	42	1067	516926	15.1	384	51A018
962795	300E	516228	43	1092	516927	15.1	384	51A018
922169	300E	516228	44	1118	516928	15.1	384	51A018
922179	300E	516228	45	1143	516929	15.1	384	51A018
962828	300E	516228	46	1168	516930	15.1	384	51A018
922081	300E	516228	34	864	516915	15.6	396	515777
922091	300E	516228	35	889	516916	15.6	396	515777
922100	300E	516228	36	914	516920	15.6	396	515777
962715	300E	516228	37	940	516921	15.6	396	515777
922117	300E	516228	38	965	516922	15.6	396	515777
922127	300E	516228	39	991	516923	15.6	396	515777
922136	300E	516228	40	1016	516924	15.6	396	515777
922146	300E	516228	41	1041	516925	15.6	396	515777
962730	300E	516228	42	1067	516926	15.6	396	515777
922161	300E	516228	43	1092	516927	15.6	396	515777
922170	300E	516228	44	1118	516928	15.6	396	515777
922180	300E	516228	45	1143	516929	15.6	396	515777
922189	300E	516228	46	1168	516930	15.6	396	515777
922082	300E	516228	34	864	516915	17	432	515778
922092	300E	516228	35	889	516916	17	432	515778
962568	300E	516228	36	914	516920	17	432	515778
922108	300E	516228	37	940	516921	17	432	515778
922118	300E	516228	38	965	516922	17	432	515778
922128	300E	516228	39	991	516923	17	432	515778
922137	300E	516228	40	1016	516924	17	432	515778
922147	300E	516228	41	1041	516925	17	432	515778
962731	300E	516228	42	1067	516926	17	432	515778
922162	300E	516228	43	1092	516927	17	432	515778
922171	300E	516228	44	1118	516928	17	432	515778
922181	300E	516228	45	1143	516929	17	432	515778
922190	300E	516228	46	1168	516930	17	432	515778
922083	300E	516228	34	864	516915	18	457	515779
922093	300E	516228	35	889	516916	18	457	515779
922101	300E	516228	36	914	516920	18	457	515779
922109	300E	516228	37	940	516921	18	457	515779
922119	300E	516228	38	965	516922	18	457	515779
922129	300E	516228	39	991	516923	18	457	515779
922138	300E	516228	40	1016	516924	18	457	515779
922148	300E	516228	41	1041	516925	18	457	515779
922155	300E	516228	42	1067	516926	18	457	515779
922163	300E	516228	43	1092	516927	18	457	515779
922172	300E	516228	44	1118	516928	18	457	515779
922182	300E	516228	45	1143	516929	18	457	515779
922191	300E	516228	46	1168	516930	18	457	515779
922084	300E	516228	34	864	516915	19	483	515780
922094	300E	516228	35	889	516916	19	483	515780
922102	300E	516228	36	914	516920	19	483	515780
922110	300E	516228	37	940	516921	19	483	515780
922120	300E	516228	38	965	516922	19	483	515780
922130	300E	516228	39	991	516923	19	483	515780
922139	300E	516228	40	1016	516924	19	483	515780
922149	300E	516228	41	1041	516925	19	483	515780
922156	300E	516228	42	1067	516926	19	483	515780
922164	300E	516228	43	1092	516927	19	483	515780
922173	300E	516228	44	1118	516928	19	483	515780
922183	300E	516228	45	1143	516929	19	483	515780
922192	300E	516228	46	1168	516930	19	483	515780





	Contents	Pressure Pots	Agitators	Air Prep & Controls	Pressure Regulators
	Surge Suppressors	Filters	Hoses, Fittings, Swivels & Gauges	Other	

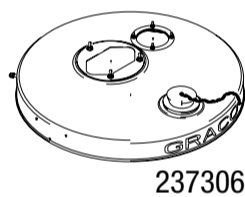
Agitators

Drum Covers

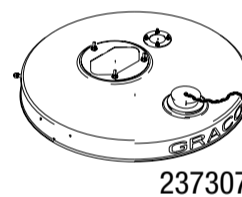
- Integrate pumps, agitators, and accessories with drum, elevator system, and other containers
- Many mounting options and configurations
- Inspection port for clean and easy monitoring
- Stainless steel construction is compatible with catalyst, waterborne, and other finishing materials
- Create custom solutions with bare cover (238008)



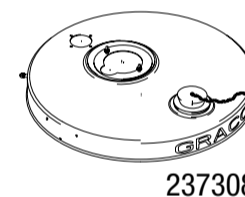
237307



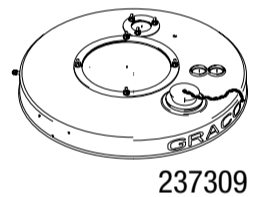
237306



237307



237308



237309

Ordering Information

Part No.	Graco Pump Support	Features	Material	Manual
• 237306	President, Monark, Standard and Fast-Flo	Includes inspection port plug, bolts, nuts, and gaskets. Fits agitator 206758 and siphon tube 206266.	304 SST	308466
• 237307	President and Monark	Includes inspection port plug, bolts, nuts, and gaskets. Fits agitators 204995 and 203711.	304 SST	308466
• 237308	President (two bolt mounting)	Includes inspection port plug, bolts, nuts, and gaskets. Fits agitators 204995, 206219 and filter 214724.	304 SST	308466
• 237309	King, Bulldog, Senator, and President	Includes inspection port plug, bolts, nuts, and gaskets. Fits agitator 205715 and air regulator 207651 (King), and air regulator 205712 (Bulldog).	304 SST	308466
• 237949	Glutton	Features inspection port plug, agitator port; return tube ports, Glutton bolt holes and siphon tube port.	304 SST	308466
• 238008	Most Graco pumps except Premier	Features only inspection port with plug. No other holes. Additional holes cut to fit particular application.	304 SST	308466
• 190206	Most Graco pumps except Premier	Blank cover with no holes. Heavy duty 12 gauge SST. Not passivated.	304 SST	308466
• 238283	Fits agitator 238157	Includes inspection port, return port and mounting holes for agitator.	304 SST	308609

- Waterborne compatible



Contents

Pressure Pots

Agitators

Air Prep & Controls

Pressure Regulators

Surge Suppressors

Filters

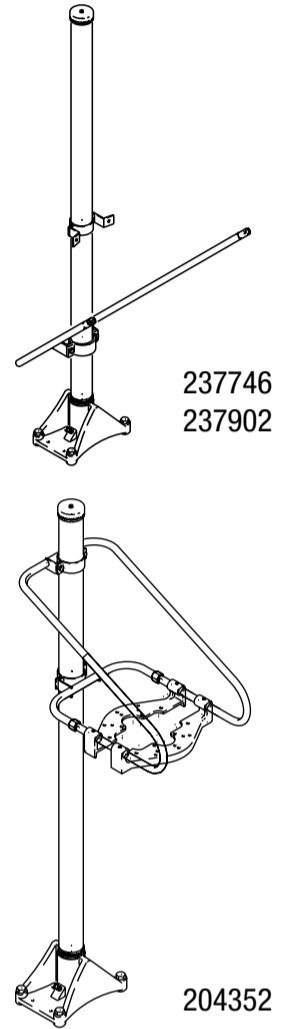
Hoses, Fittings,
Swivels & Gauges

Other

Agitators

Elevator System

- Safely and easily raise and lower cover mounted pumps and agitators
- Includes lift, up/down air control, and cover support (cover not included)
- Mounts directly to floor or plate (205339)



Ordering Information

Part No.	Features	Material	Manual
237746	Includes elevator 204385, air control valve 237579, floor mount base and drum cover support 237578.	Steel	306287
204352	Includes elevator 204385 and bracket 204510.	Steel	306568
207561	Elevator up/down control		306287
204385	Elevator only with stationary base.	Steel	306287