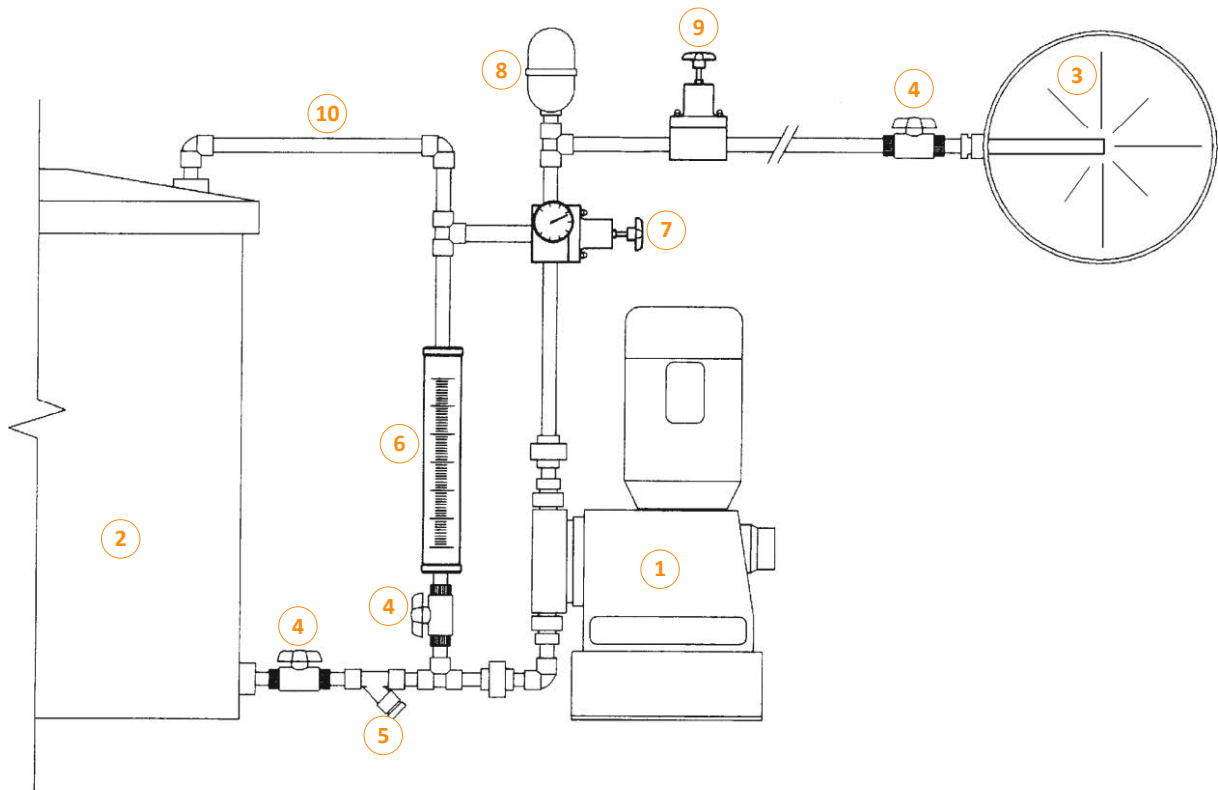


# PRODOZ

## PRODOZ METERING PUMPS ACCESSORIES

The following is a general outline covering typical metering pump applications, and the accessory items that have been developed to help enhance the performance of your metering pump, for the optimum control of chemical being used.



- 1- Prodoz Metering Pump
- 2- Chemical Tank
- 3- Chemical Injection Point
- 4- Ball Valve
- 5- Suction Filter
- 6- Calibration Column
- 7- Pressure Safety Valve
- 8- Pulsation Dampener
- 9- Back Pressure Valve
- 10- PSV Return line