

PRODOZ PME

Metering dosing pump – constant flow regulation



- LCD 2.1/2 digit display
- Flow rate digital adjustment 0-100%
- PVDF pump head as standard
- Power on Led
- Solenoid pulse Led
- Chemical dosing alarm level predisposition
- ON/OFF switch
- Polypropylene Plastic box with 30% fiber glass
- IP65 protection degree

SISDOZ ARITMA VE POMPA TEKNOLOJİLERİ SANAYİ TİCARET A.Ş.

Kayışdağı Mah. Atilla Cad. No: 1/A 34755 Ataşehir / İstanbul

Tel: +90 216 526 54 70 Fax: +90 216 526 54 71

www.sisdoz.com.tr sisdoz@sisdoz.com.tr



Model	Max Flow rate (l/h)	Pressure max (bar)	Frequency max (imp/min)	ml / pulse	Max suction high (mt)	Standard power supply (*)	Weight (kg)
PME 01-15	1	15	120	0.14	1.5	230 V – 50/60 Hz	1.4
PME 02-10	2	10	120	0.28	1.5	230 V – 50/60 Hz	1.4
PME 05-05	5	5	120	0.70	1.5	230 V – 50/60 Hz	1.4

Pump Head	PVDF
Diaphragm	PTFE
Connection	PVDF
Foot filter	Polypropylene (optional PVDF)
Injection valve	Polypropylene (optional PVDF)
Suction hose	PVC crystal 4x6mm
Delivery hose	Polietilene 4x6mm (optional PVDF)
Standard valves	Ceramic balls
Seals	FPM (on demand: EPDM)
Level connection	On request (L version)
Assembly	Wall-mounting (standard) - horizontal bracket (optional part)
Consumption	1A
Weight	1.4 kg

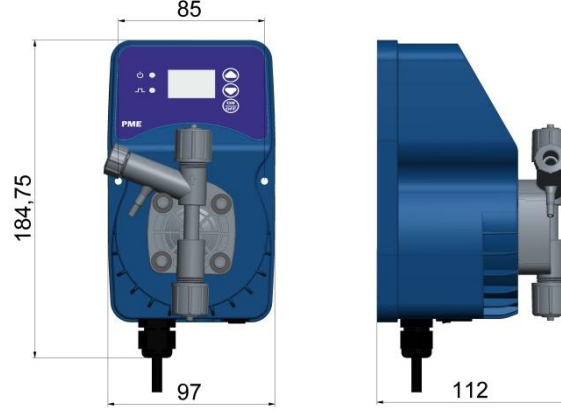
SİSDOZ ARITMA VE POMPA TEKNOLOJİLERİ SANAYİ TİCARET A.Ş.

Kayışdağı Mah. Atilla Cad. No: 1/A 34755 Ataşehir / İstanbul

Tel: +90 216 526 54 70 Fax: +90 216 526 54 71

www.sisdoz.com.tr sisdoz@sisdoz.com.tr

Dimensions (mm)



Installation kit



Ball injection valve (PP)

Foot filter (PP)

2 mt delivery hose (4x6m PE)

2 mt suction hose (4x6 mm transparent PVC)

Assembly kit