

PM-Plus (pH, mV, Cl, CD)

metering dosing pumps with measure instrument built-in

**Metering dosing pumps PM – Plus series
With measure instrument built-in**



- Backlighted graphic display
- Very easy to use: programming way like "mobile phone"
- Proportional dosing to the set-point value
- Constant flow rate mode
- Level probe input
- Plastic box IP65 protection degree
- 4-20 mA output signal
- Version pH/Redox(mV) selectable from the user
- Start/Stop key
- Measure ranges:
pH: 0 - 14,00 pH; BNC input from pH probe
Redox(mV): 0 - 1999 mV; BNC input from Redox(mV) probe
Free Chlorine: 0- 10,00 ppm; Input probe SCLO series
*Conductivity: 0 – 10.00 mS via probe SCD K1; other ranges available
1000µS, 100 µS, 10 µS, via probe SCD K5*

PRODGZ

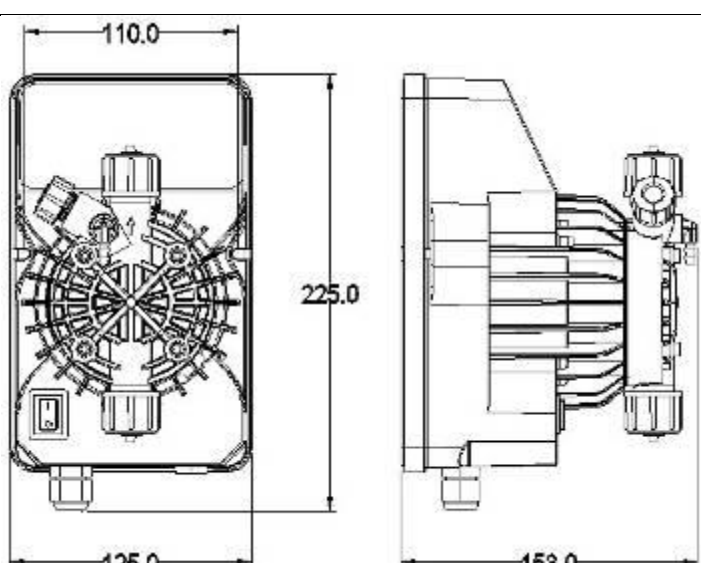
Measure and control instruments for water treatment

PM-Plus (pH, mV, Cl, CD)

metering dosing pumps with measure instrument built-in

| Model | Flow rate max (l/h) | Pressure max (bar) | Frequency max (imp/min) | ml/pulse | Max suction high (m) | Standard power supply (*) | Weight (kg) |
|----------|---------------------|--------------------|-------------------------|----------|----------------------|---------------------------|-------------|
| PM 01-15 | 1 | 15 | 120 | 0,14 | 2.0 | 230 V – 50/60 Hz | 2,3 |
| PM 02-10 | 2 | 10 | 120 | 0,28 | 2.0 | 230 V – 50/60 Hz | 2,3 |
| PM 05-07 | 5 | 7 | 120 | 0,69 | 2.0 | 230 V – 50/60 Hz | 2,3 |
| PM 10-10 | 10 | 10 | 120 | 1,39 | 2.0 | 230 V – 50/60 Hz | 2,3 |
| PM 20-03 | 20 | 3 | 120 | 2,78 | 2.0 | 230 V – 50/60 Hz | 2,3 |
| PM 50-01 | 50 | 1 | 120 | 6,94 | 2.0 | 230 V – 50/60 Hz | 2,3 |

(*) Other power supply contact the headquarters

| Dimensions | Materials |
|--|--|
|  | <p>Pump head: polypropylene (on request: PVC, SS316, PTFE, PVDF)</p> <p>Diaphragm: PTFE</p> <p>Connections: polypropylene</p> <p>Foot filter: polypropylene</p> <p>Injection valve: polypropylene</p> <p>Suction tube: PVC crystal</p> <p>Delivery tube: polyethylene</p> <p>Standard valves: ball in Pyrex (on request: ceramic)</p> <p>On request valves: Lip in FPM (on request: EPDM)</p> <p>Seats: FPM (on request: EPDM)</p> |

PRODGZ

